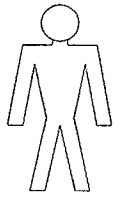
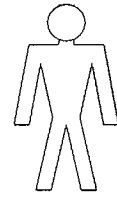
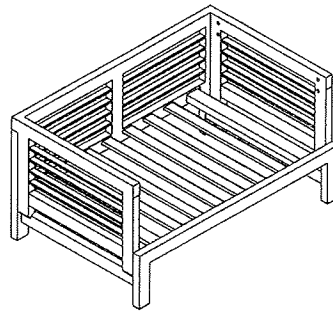


Model: Jazz



A x28



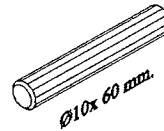
B x28



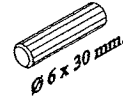
C x4



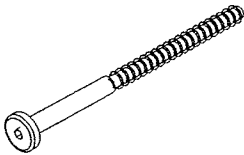
D x12



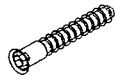
E x25



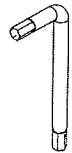
G x64



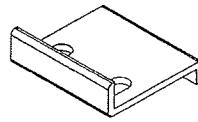
L x5



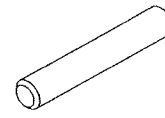
N x8



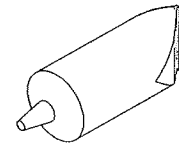
Q x1



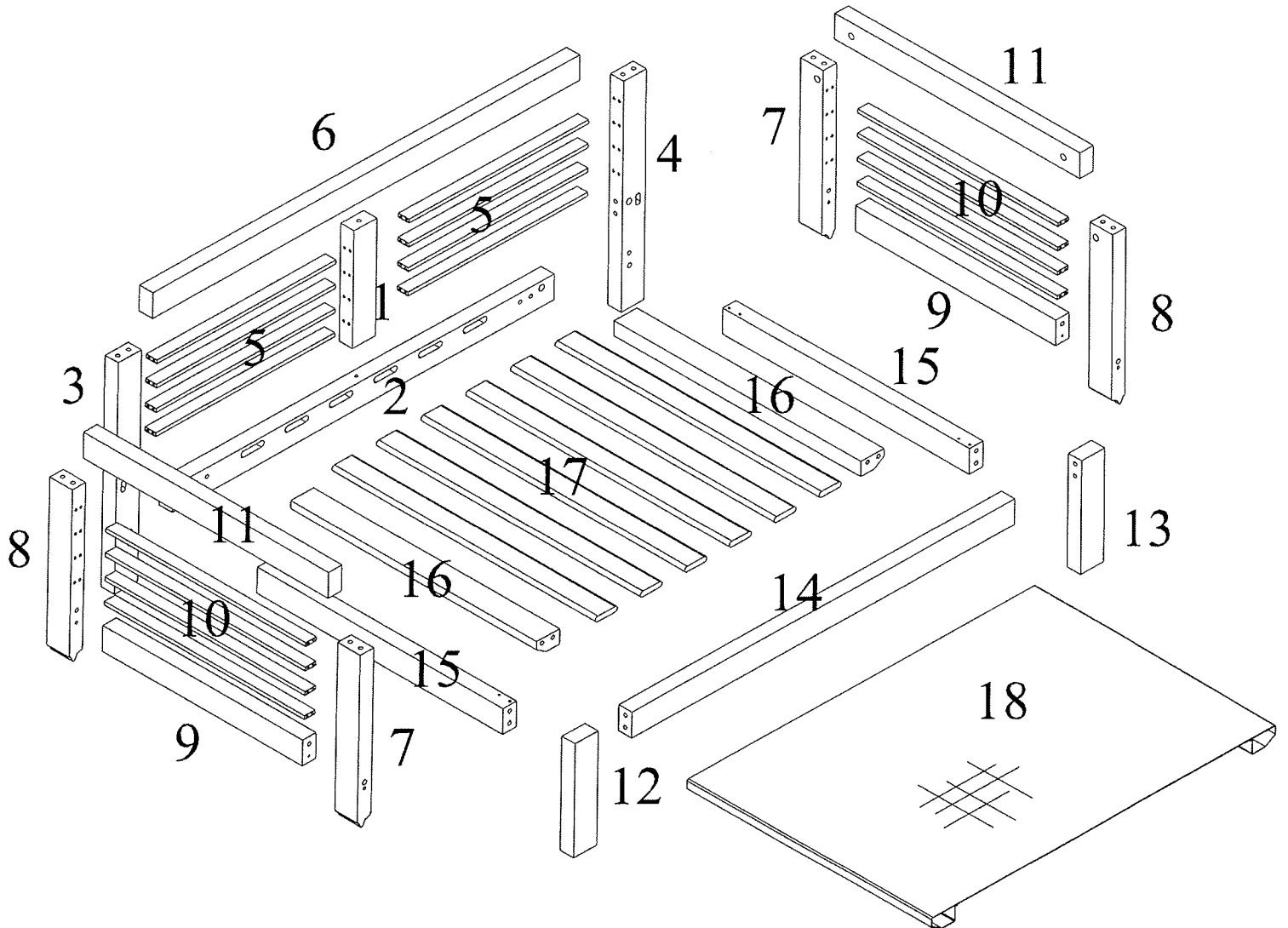
S x4



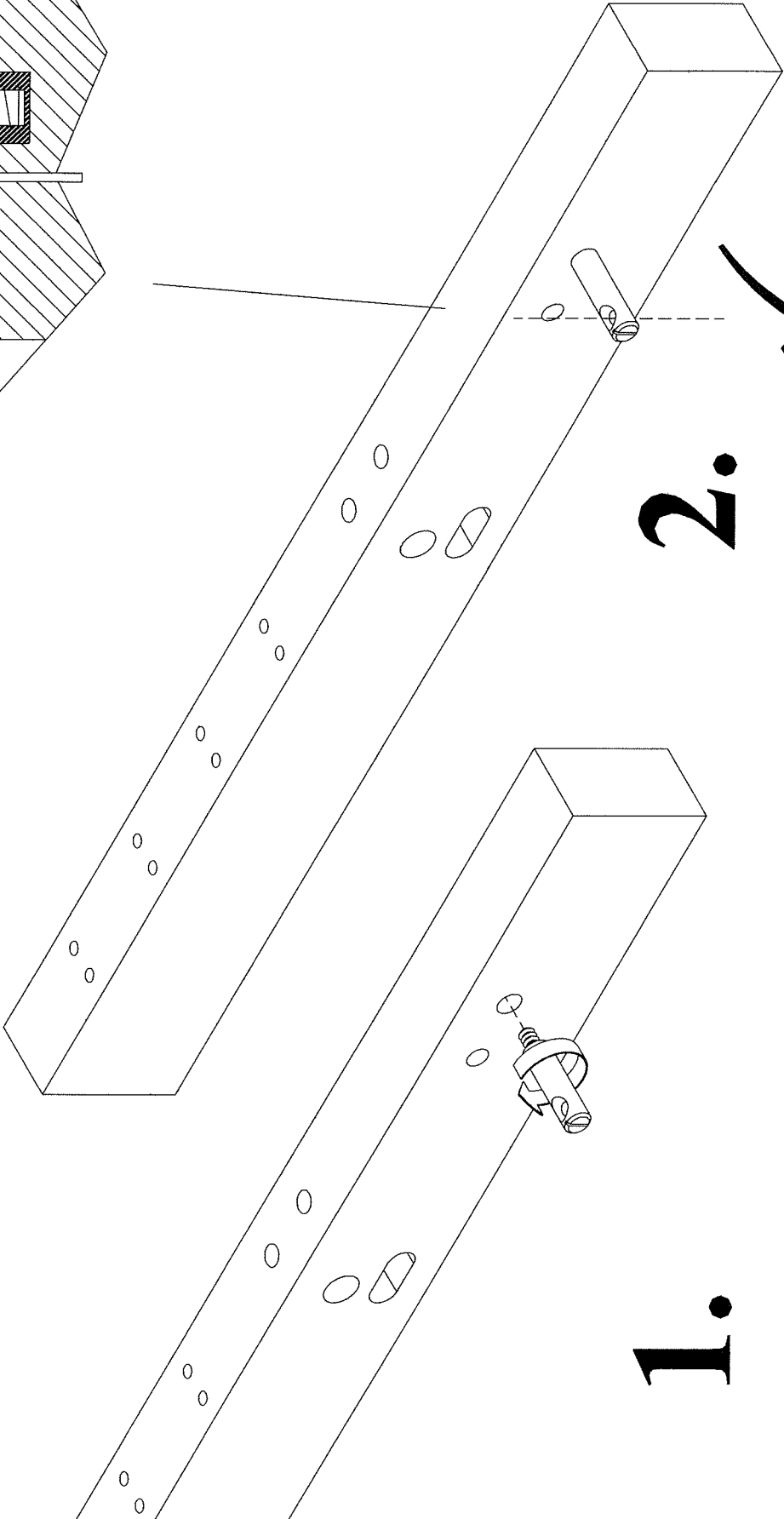
T x4



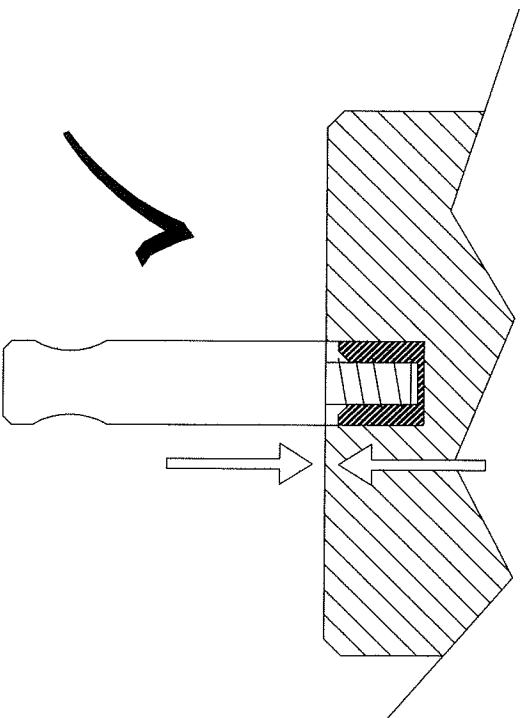
U x1



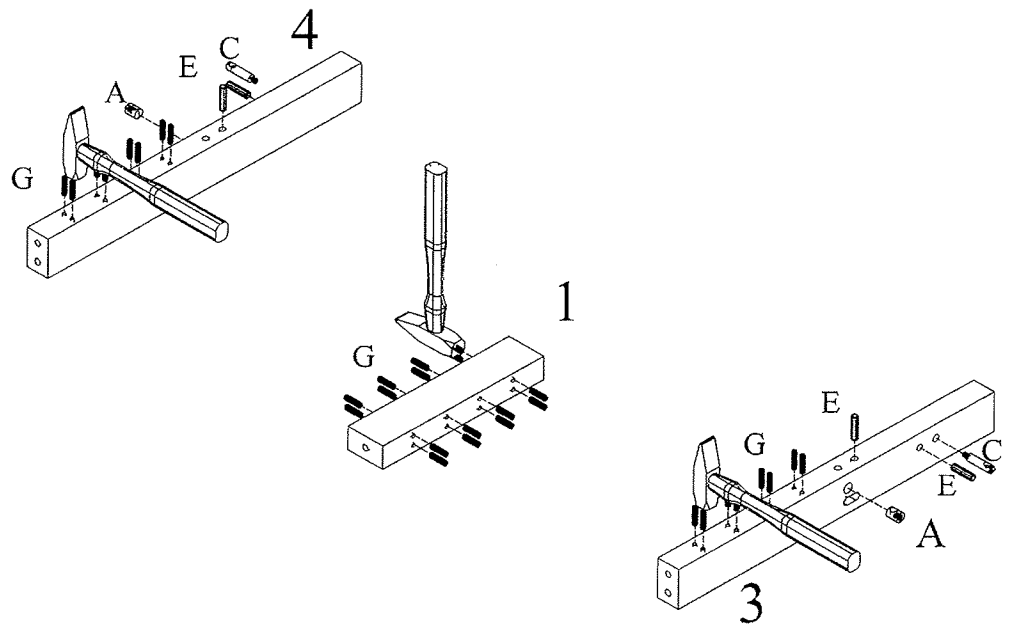
1.



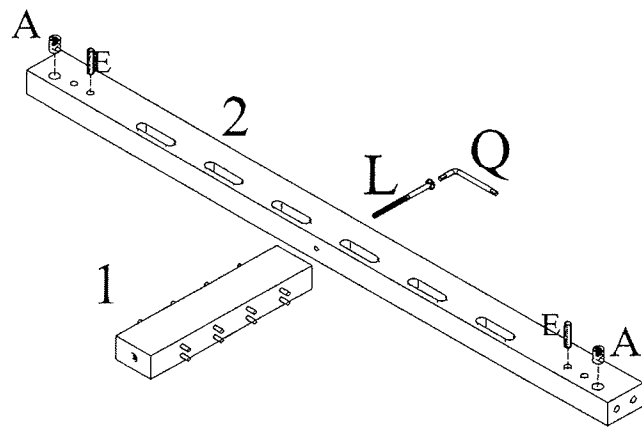
2.



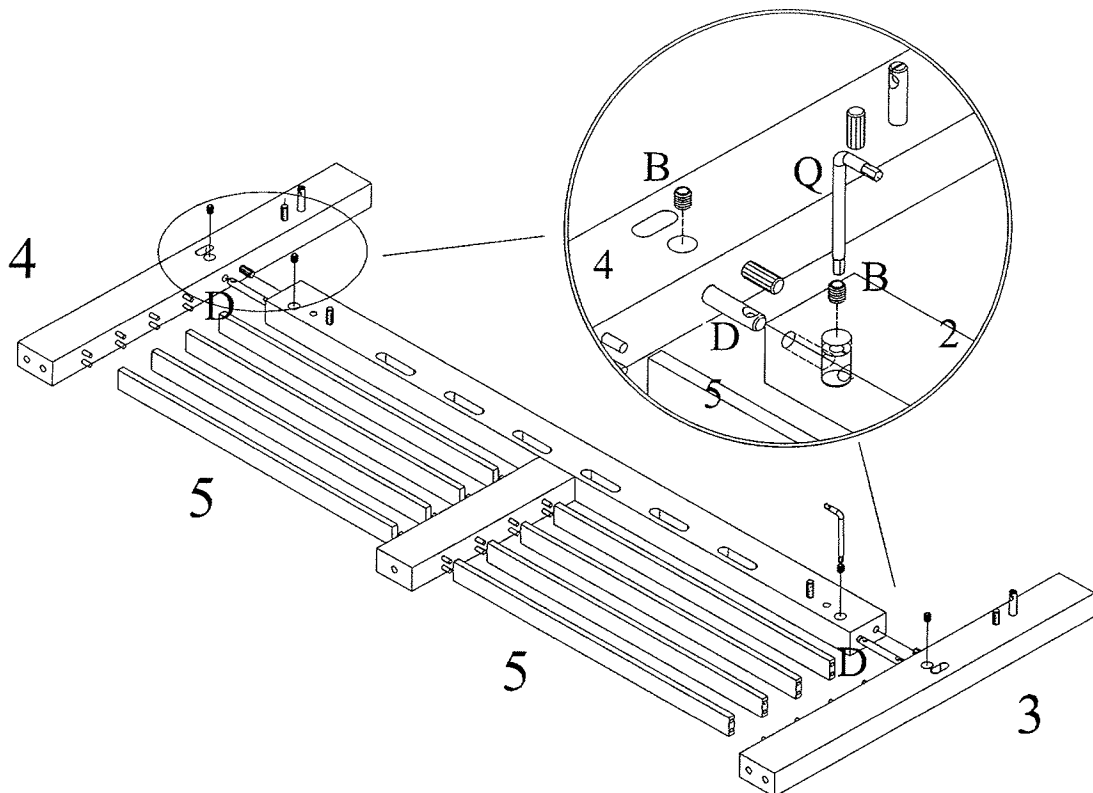
1

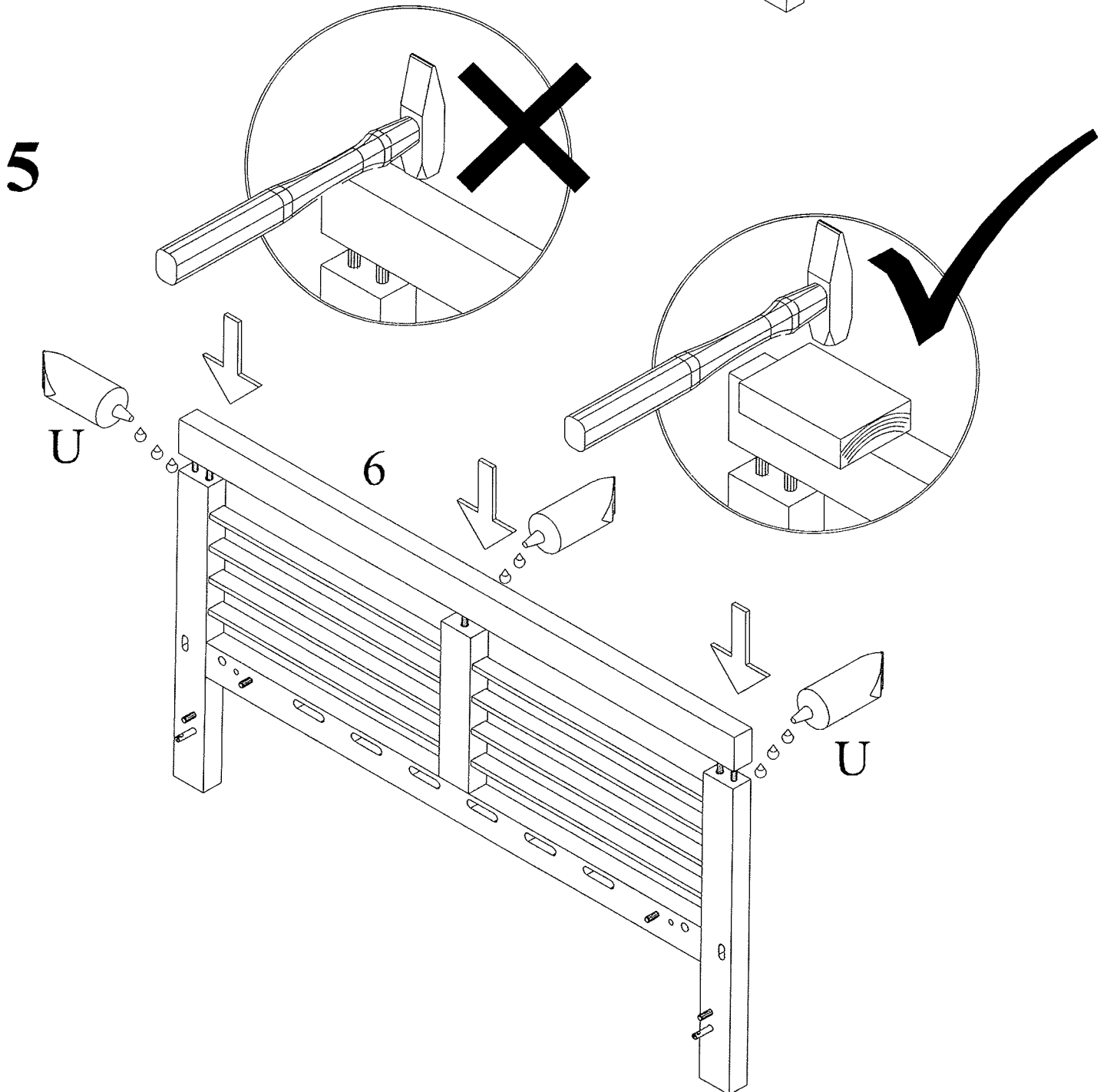
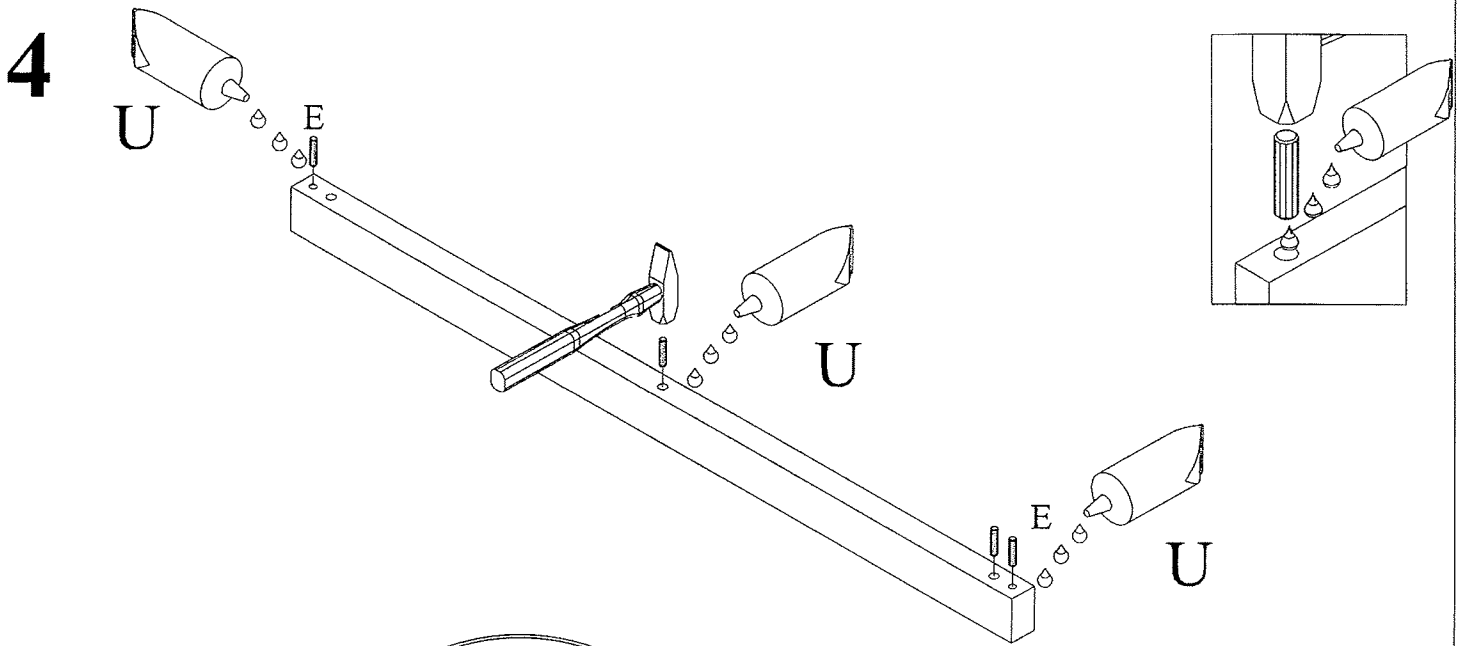


2

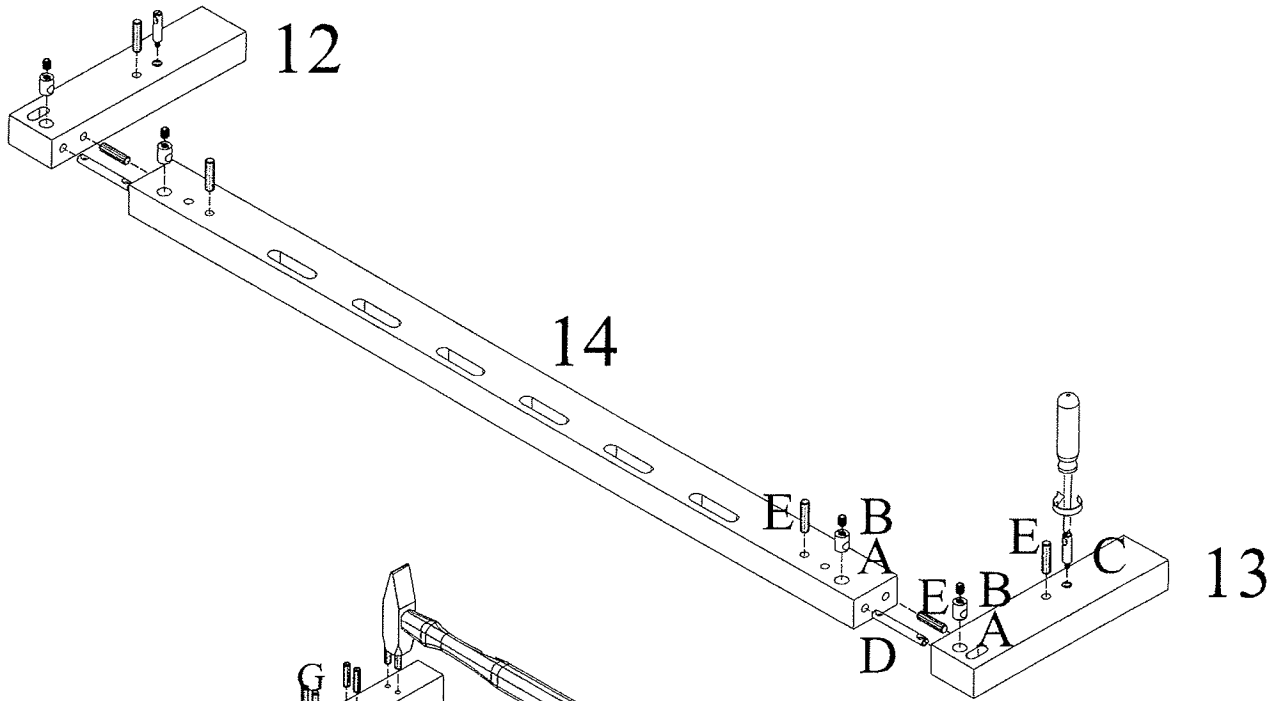


3

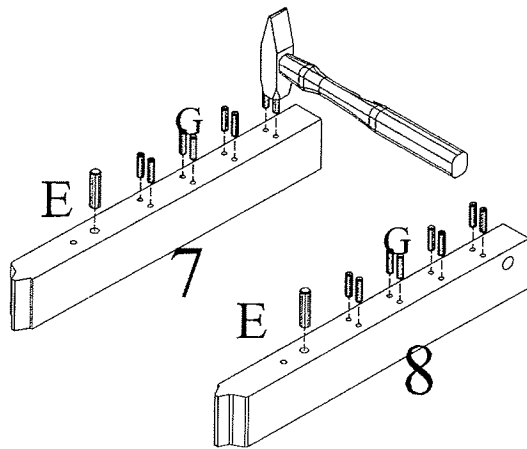




6

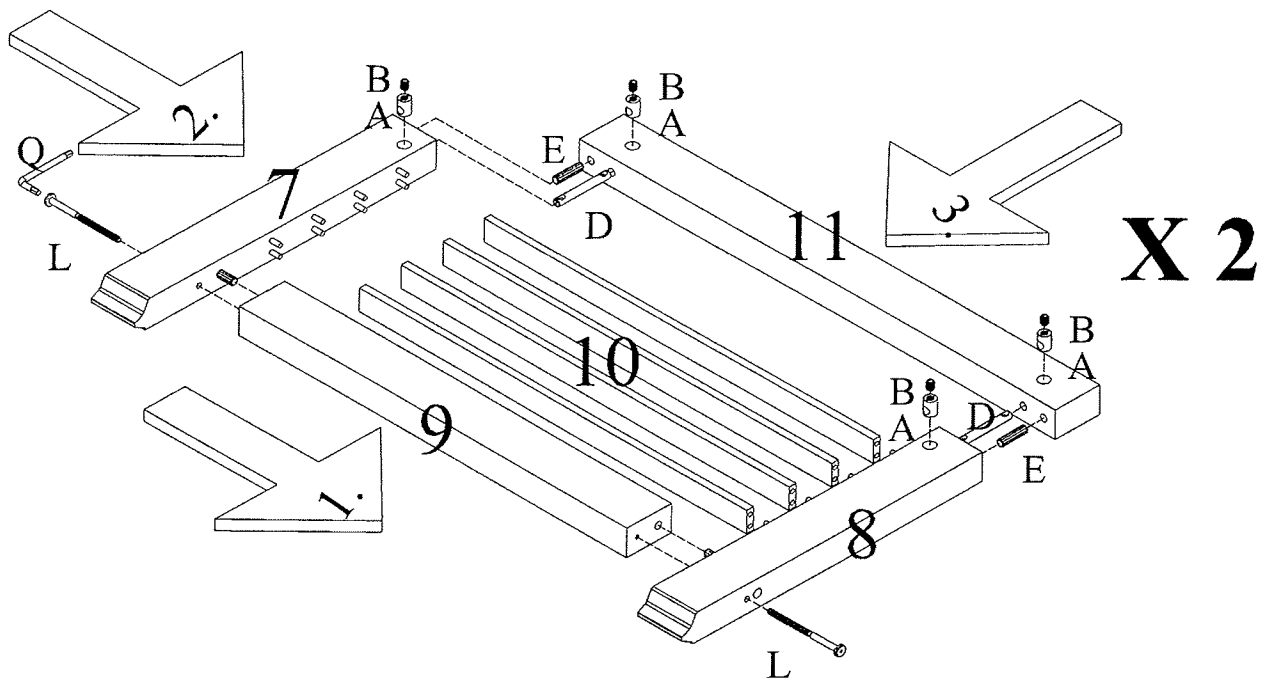


7



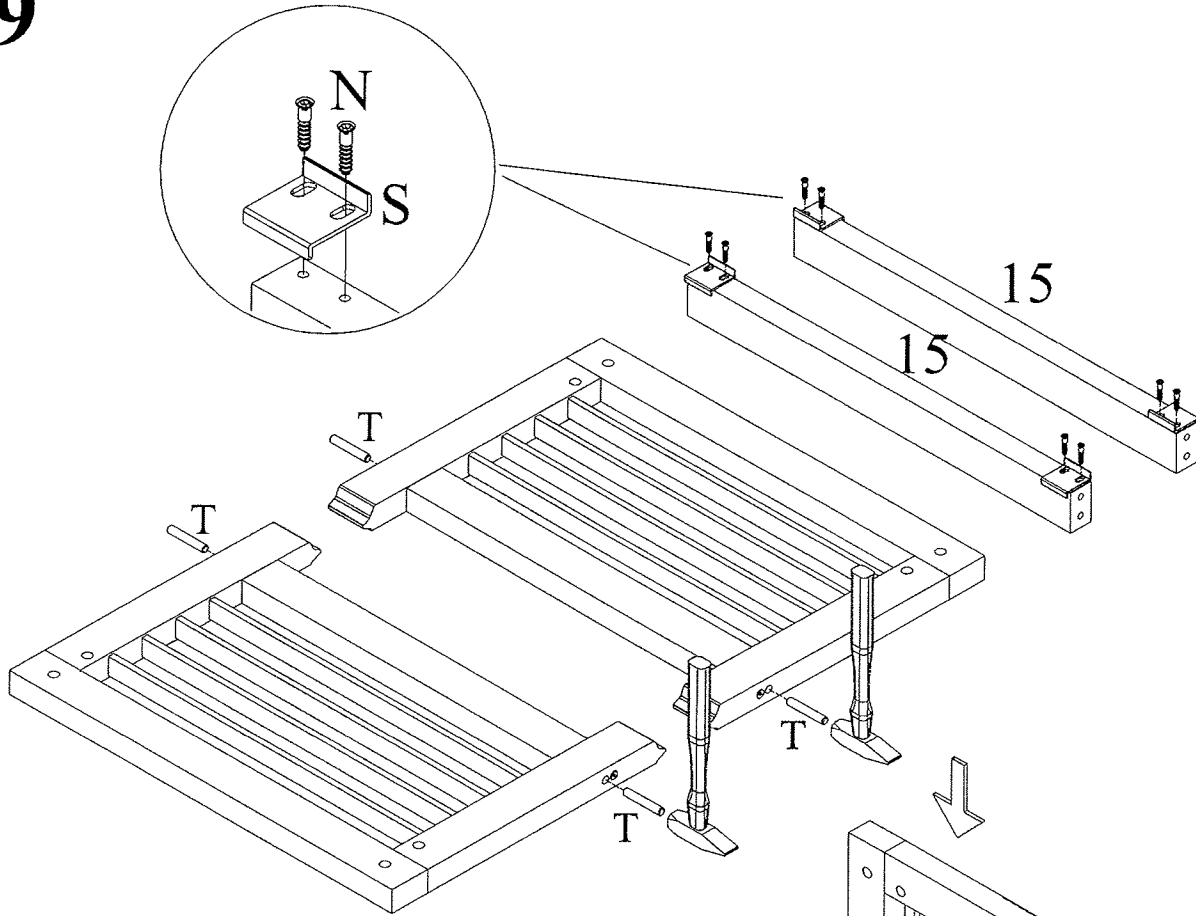
X 2

8

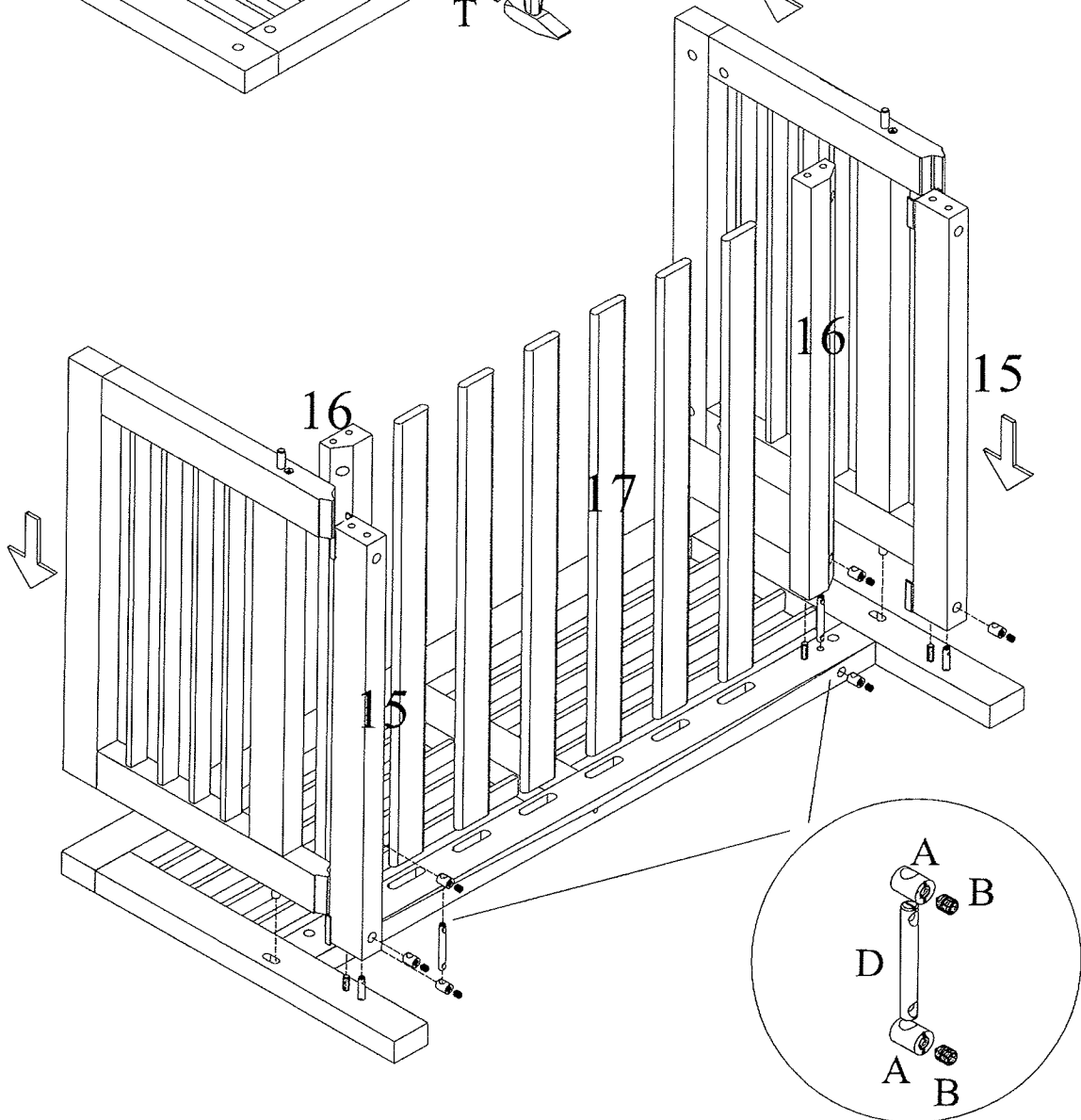


X 2

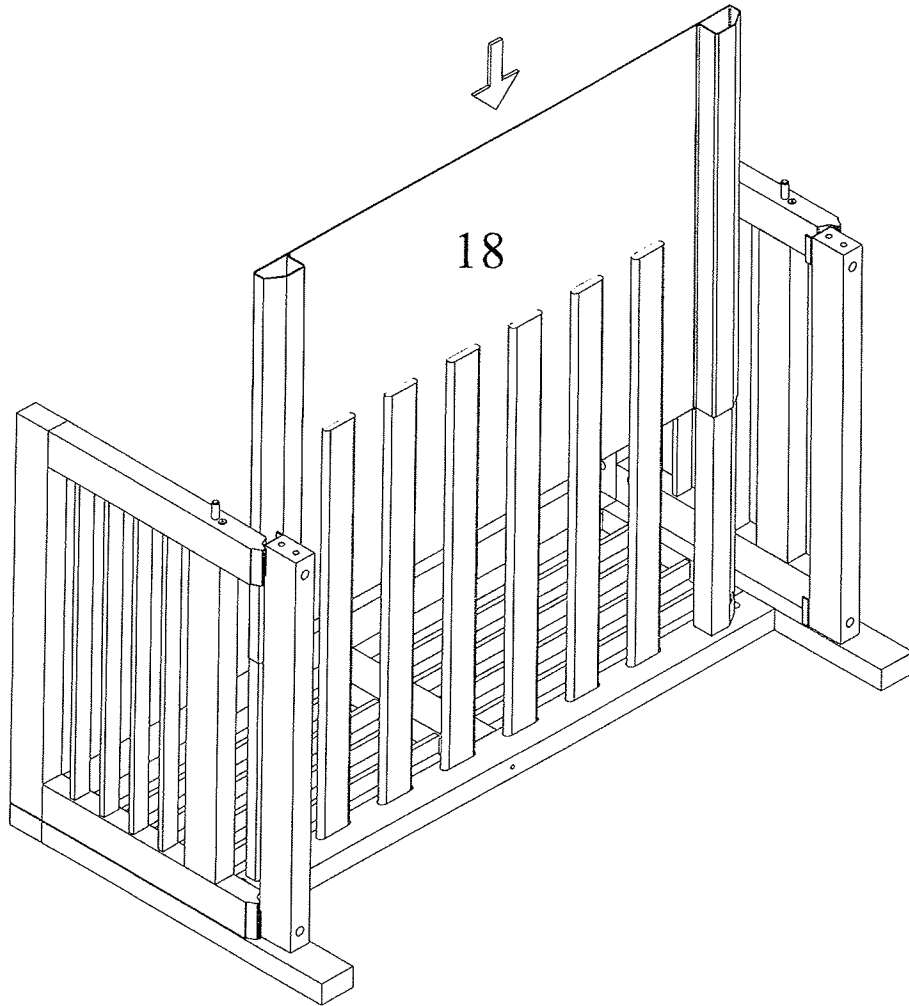
9



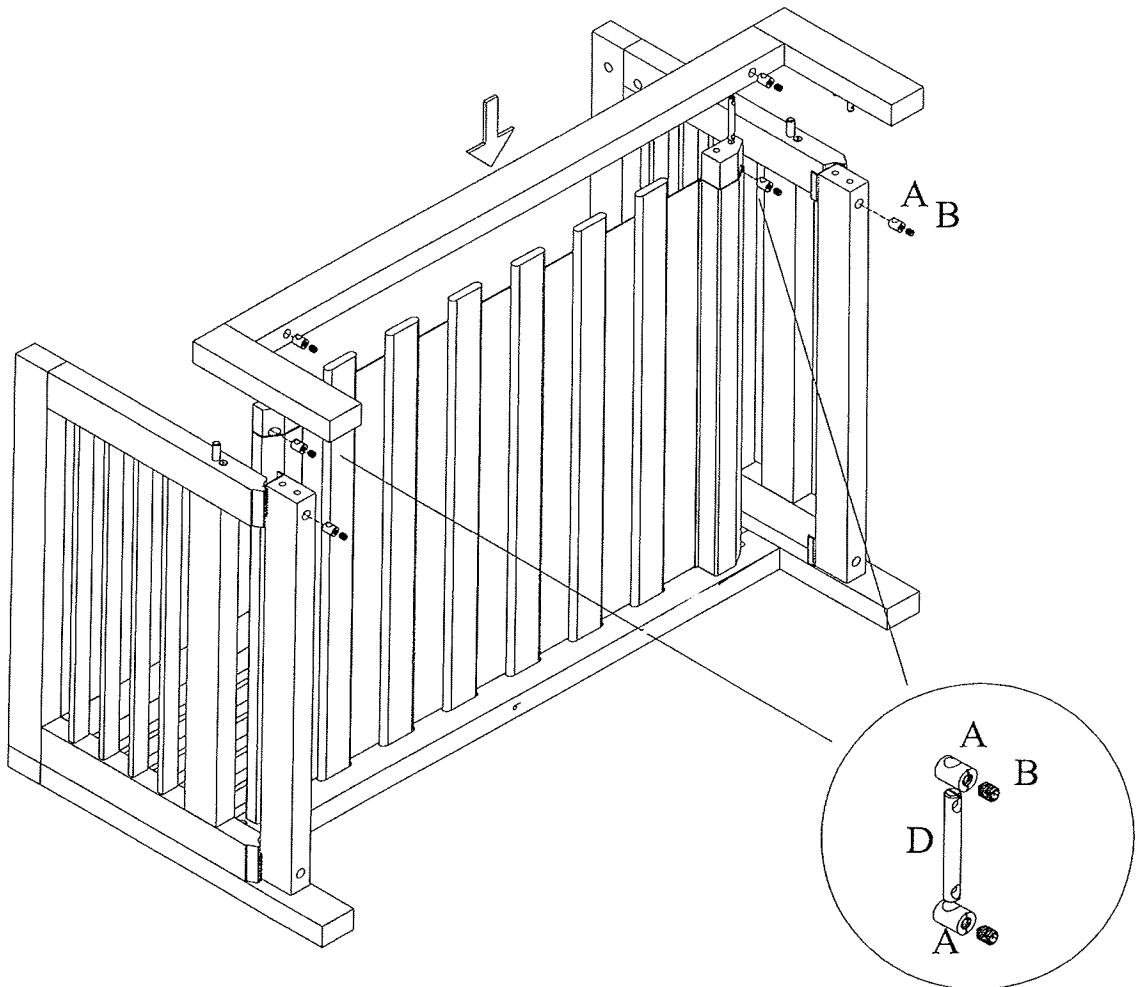
10



11



12



13

