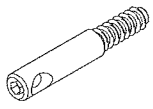
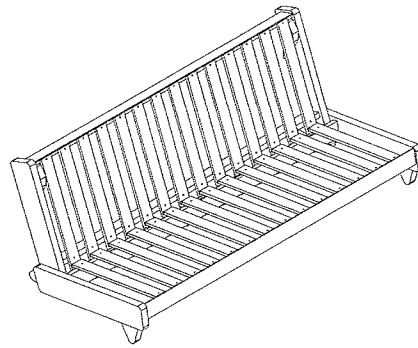


# Model: Fresh



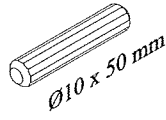
A x8



B x8



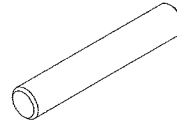
C x8



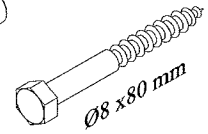
D x16



E x2



F x4



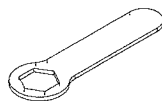
G x2



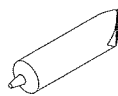
H x4



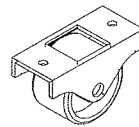
I x4



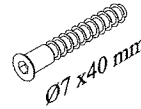
J x1



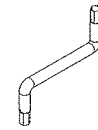
K x2



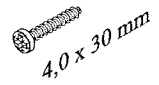
L x2



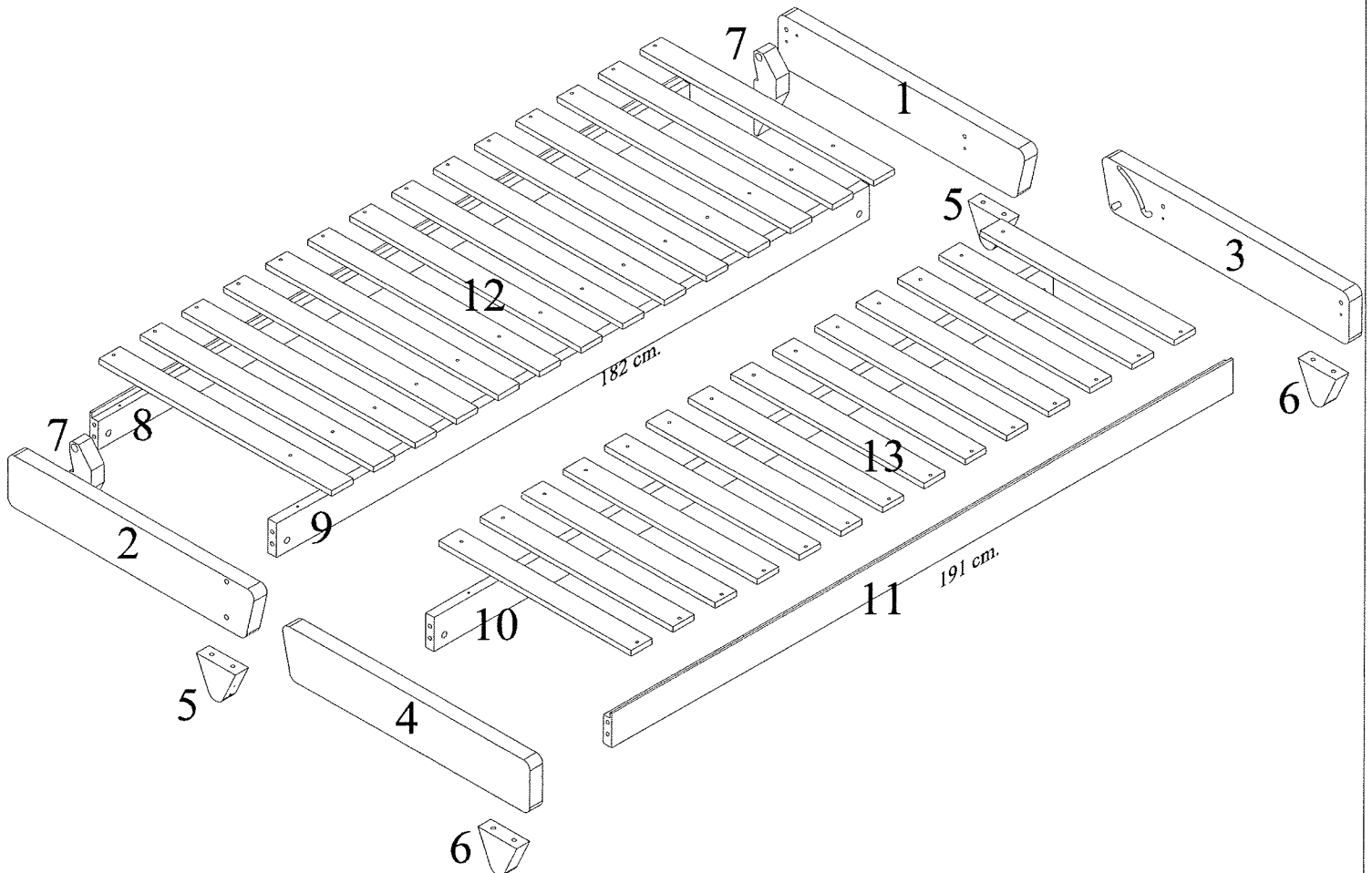
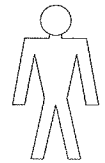
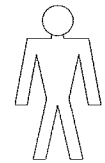
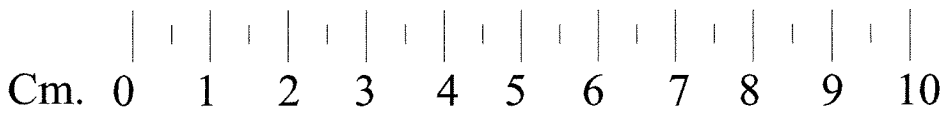
M x56

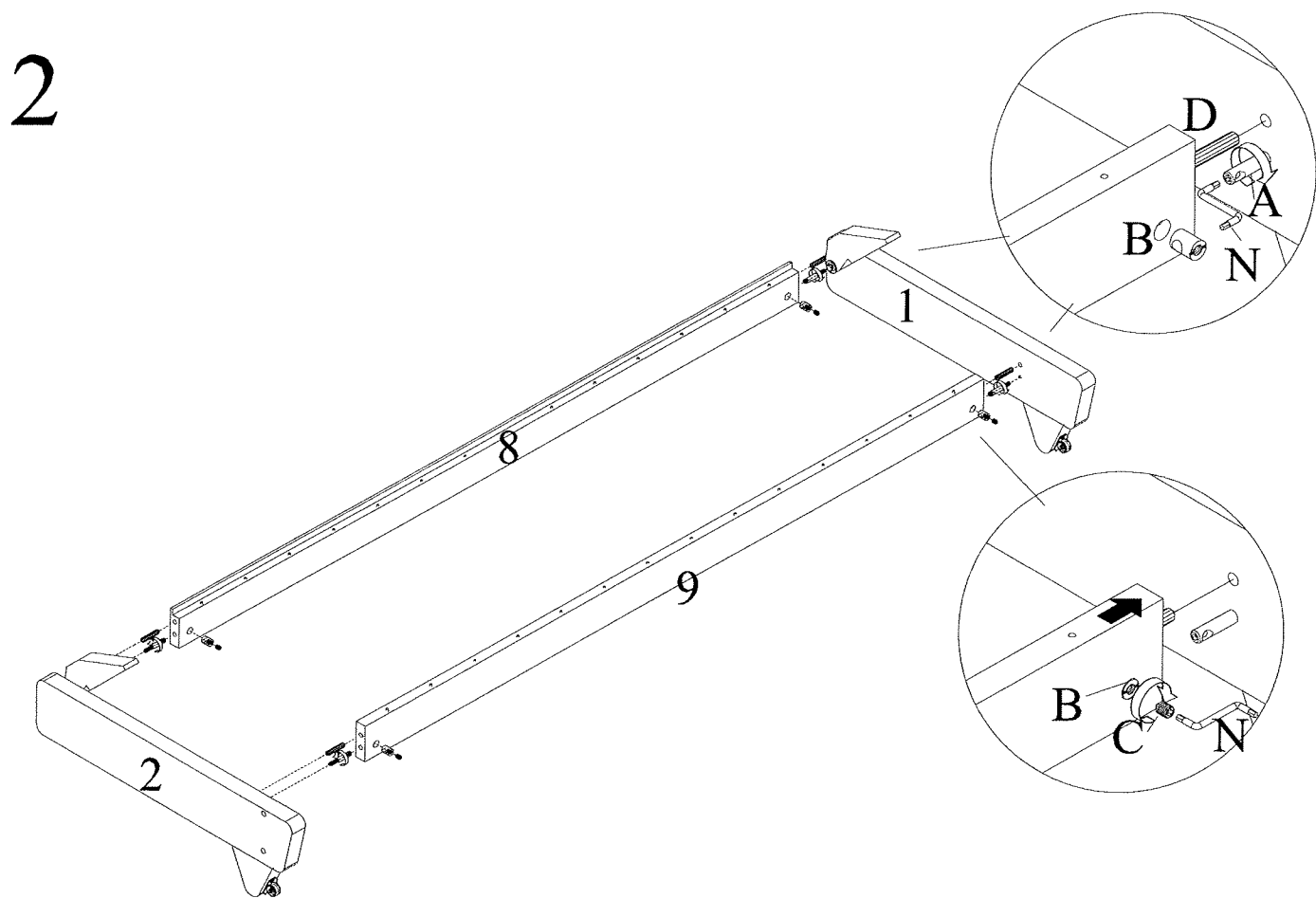
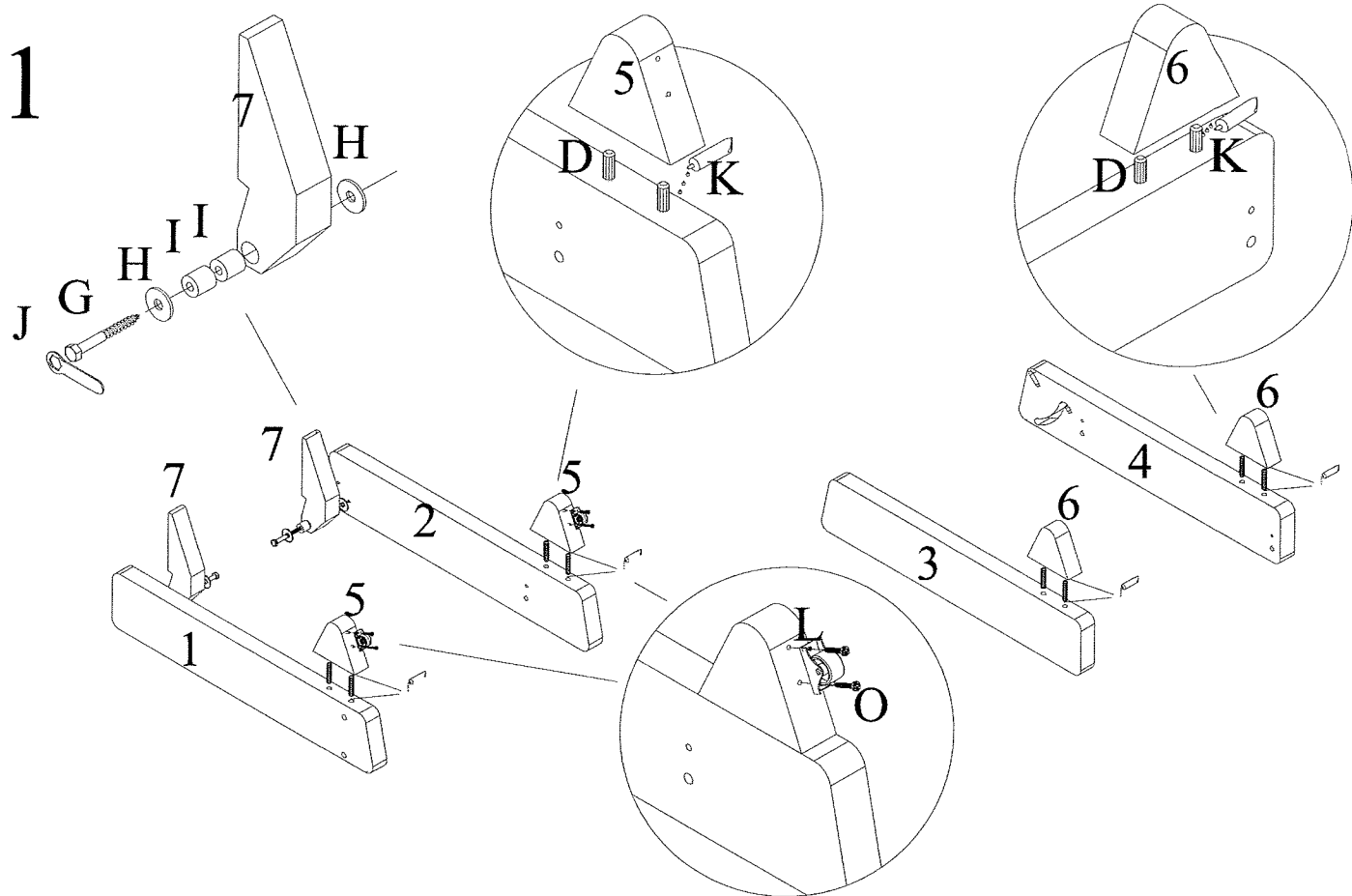


N x1

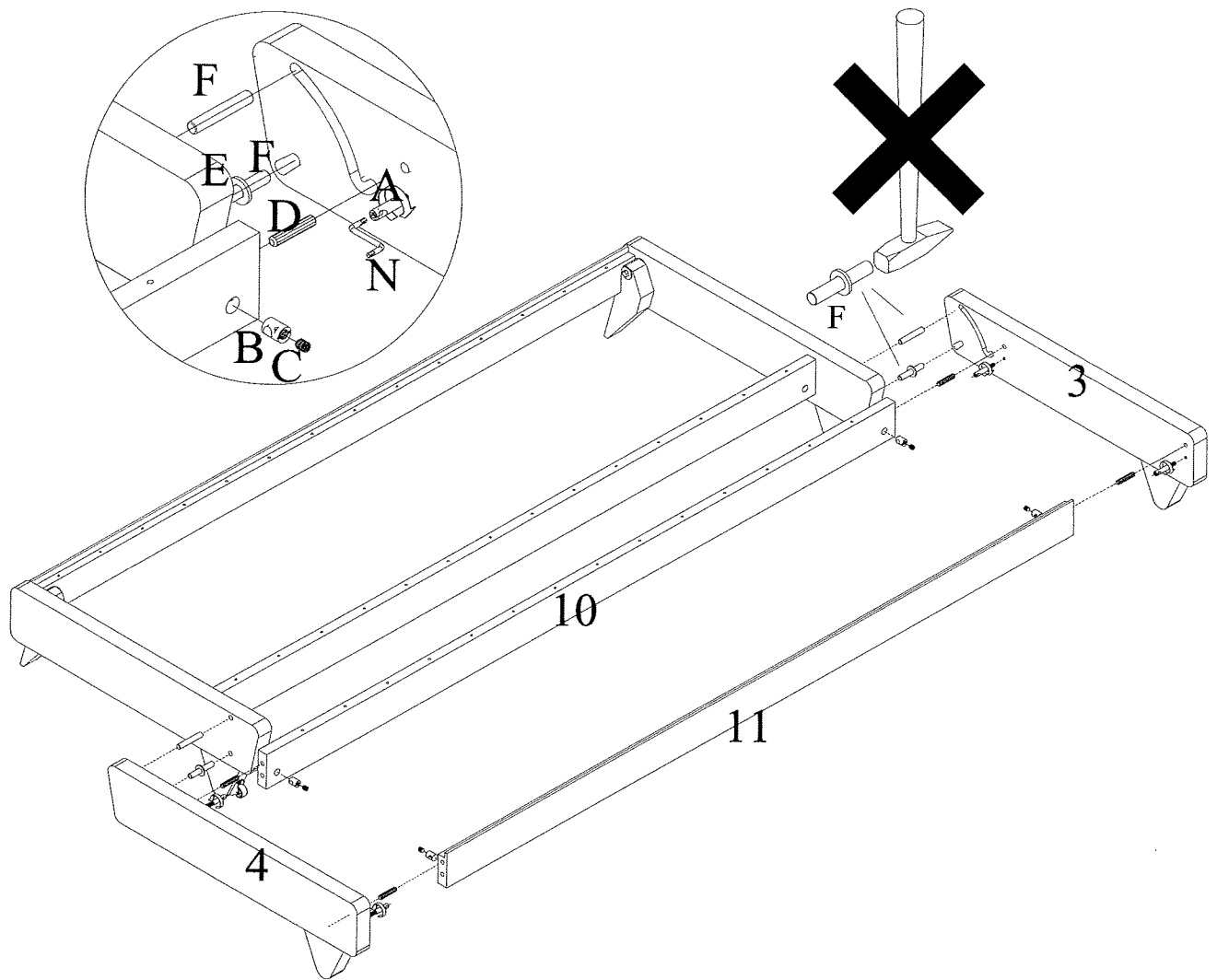


O x4

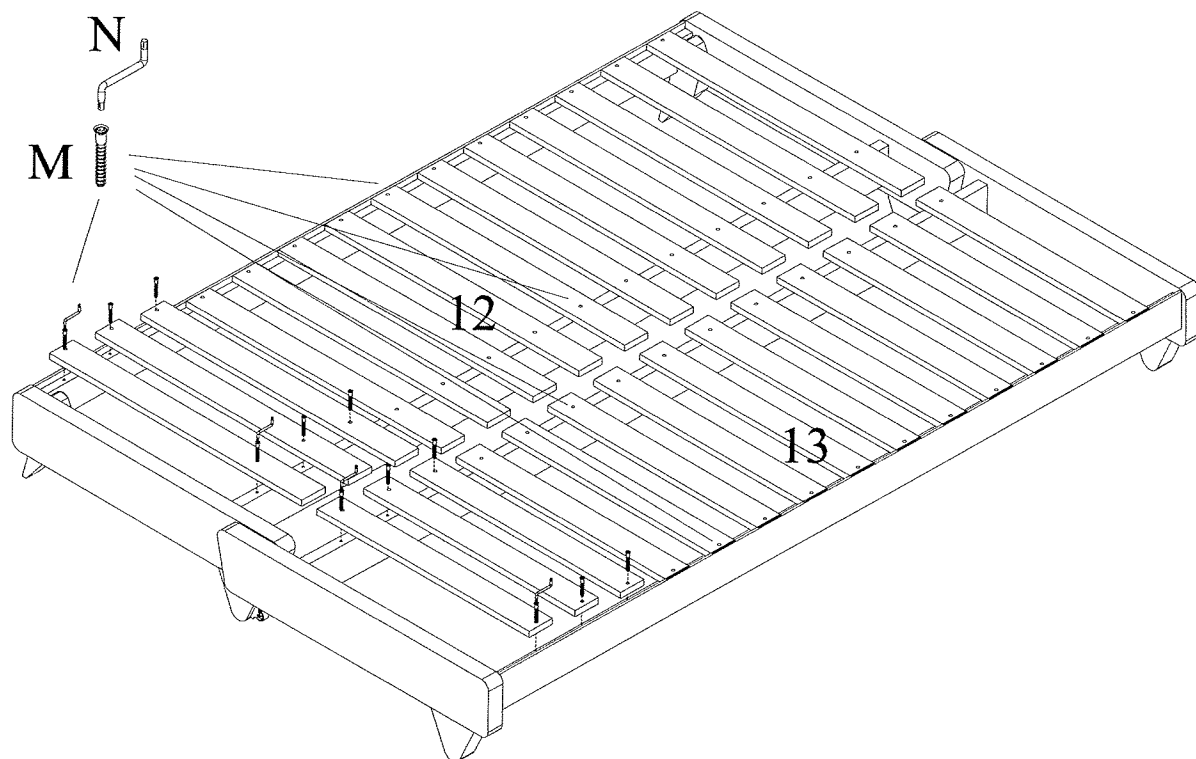




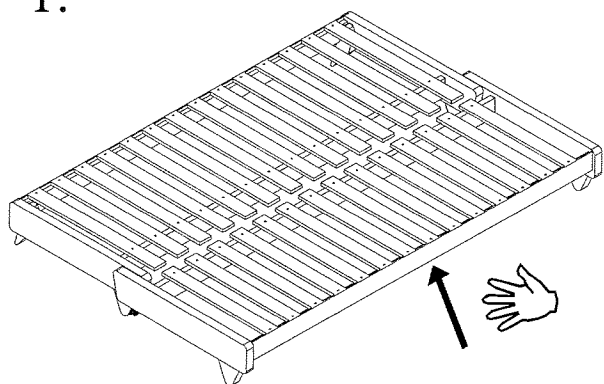
3



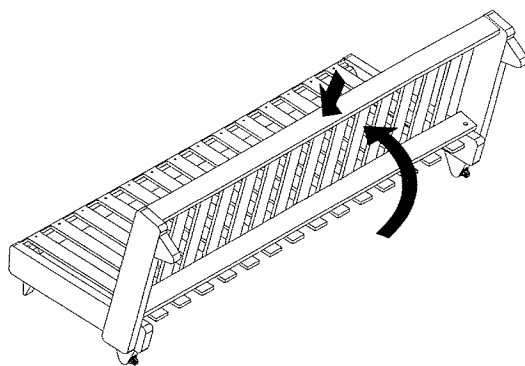
4



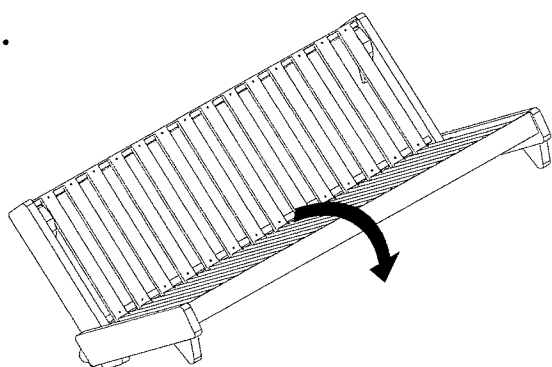
1.



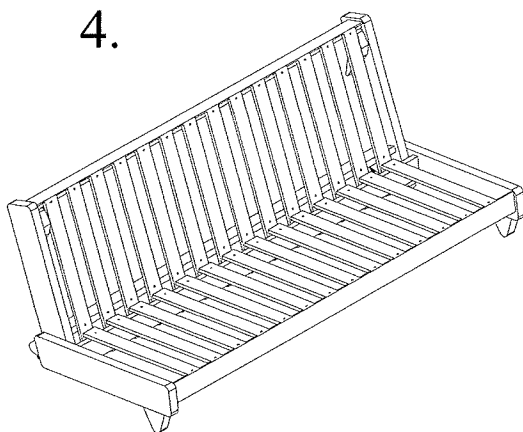
2.



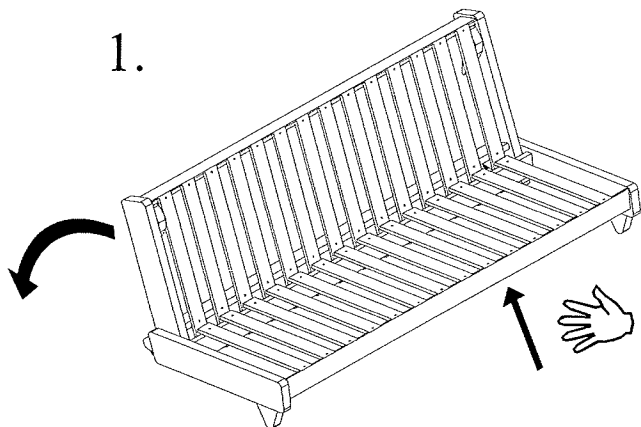
3.



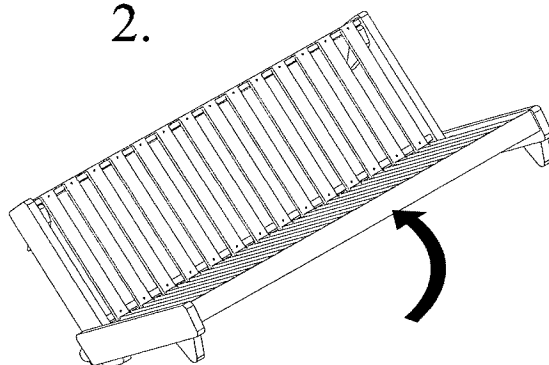
4.



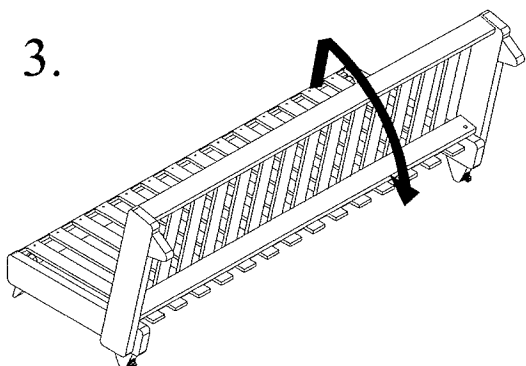
1.



2.



3.



4.

