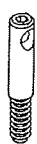
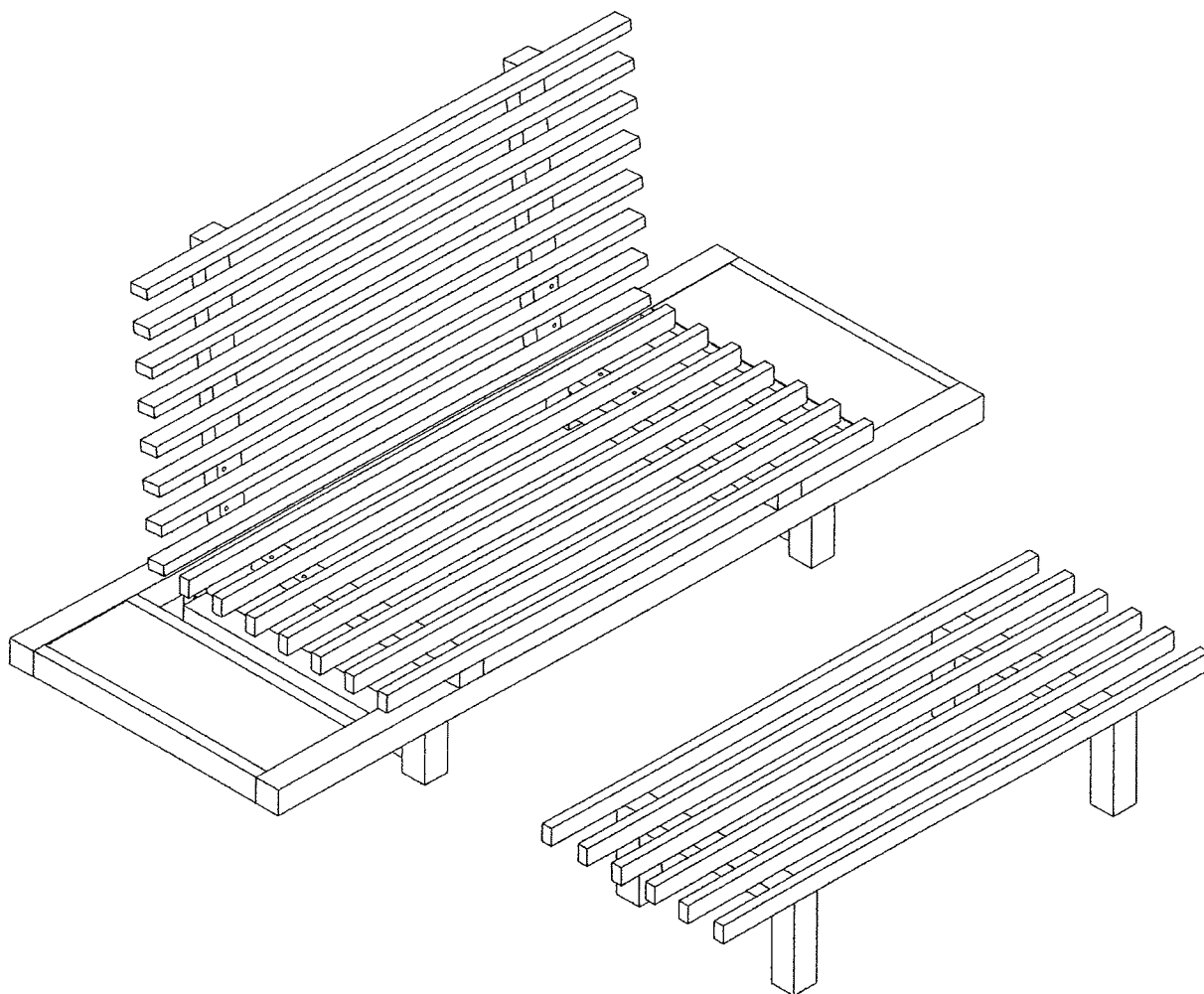


CC RIDER -B



A x20



B x20



Cx20



Dx8



E x8



F x20

Ø10 x 40 mm



G x8

Ø6 x 30 mm



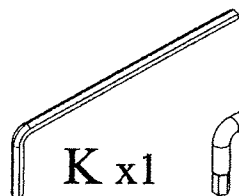
I x76

Ø7 x 70 mm

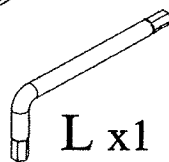


J x4

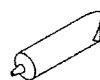
Ø7 x 50 mm



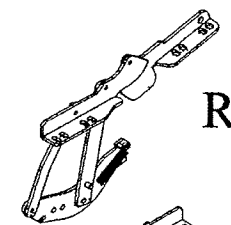
K x1



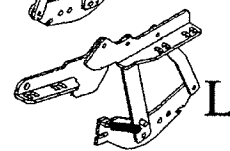
L x1



M x1

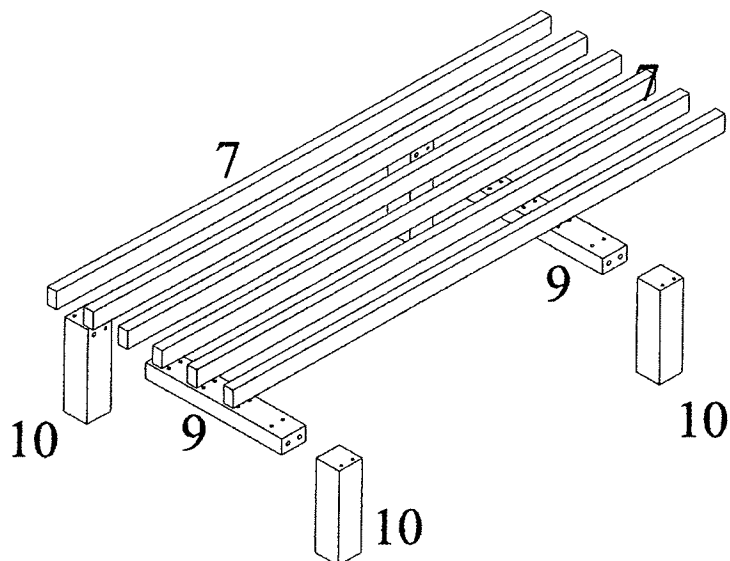
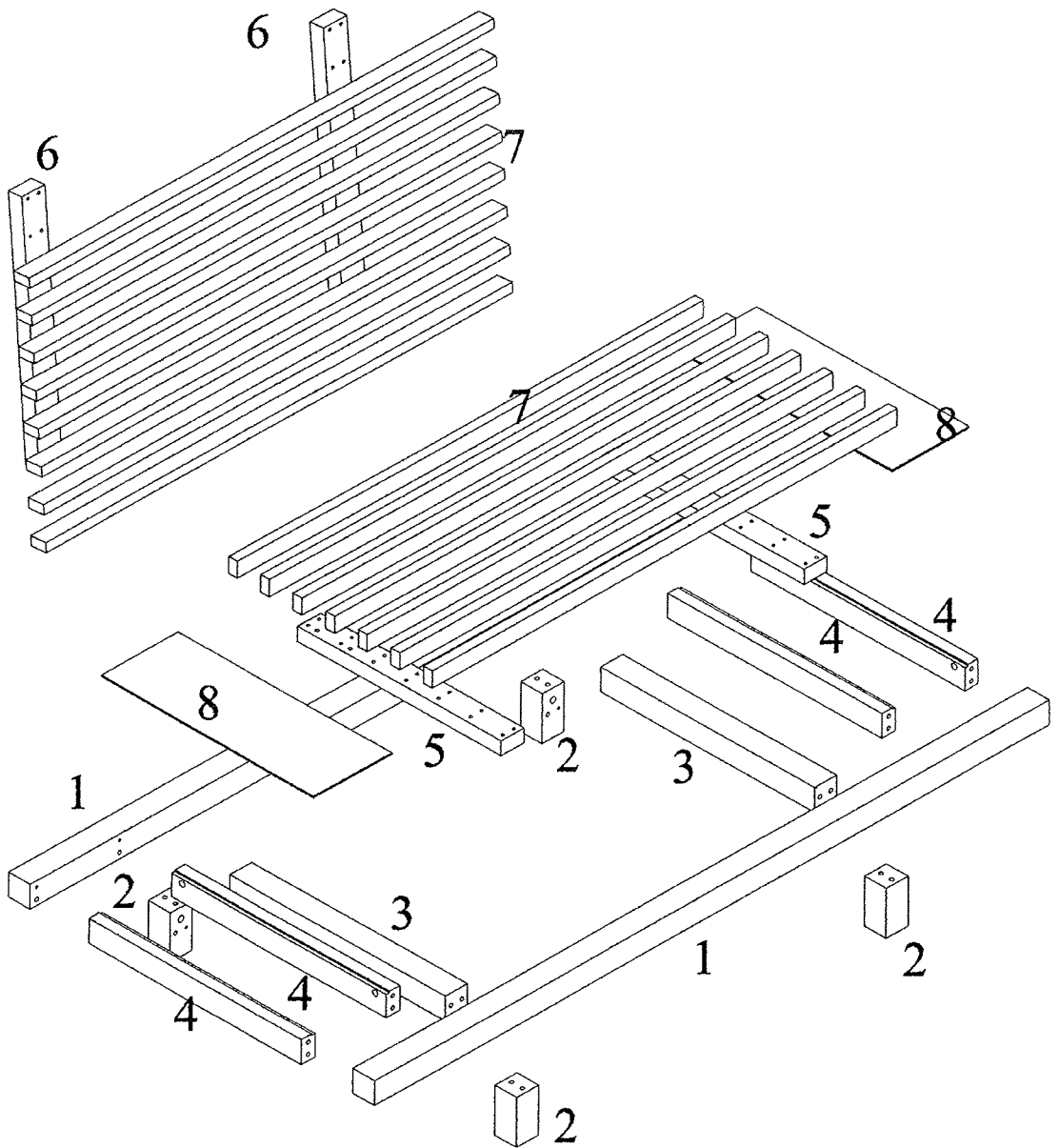


R

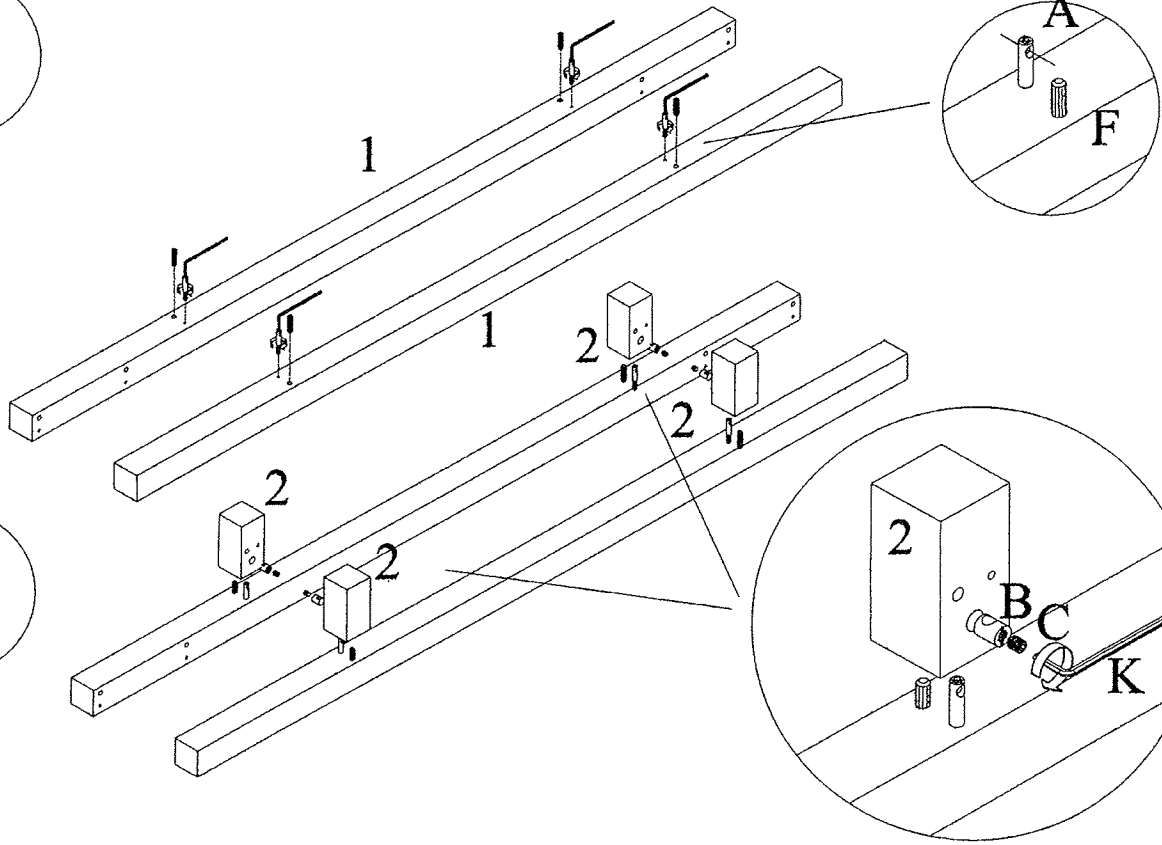


L

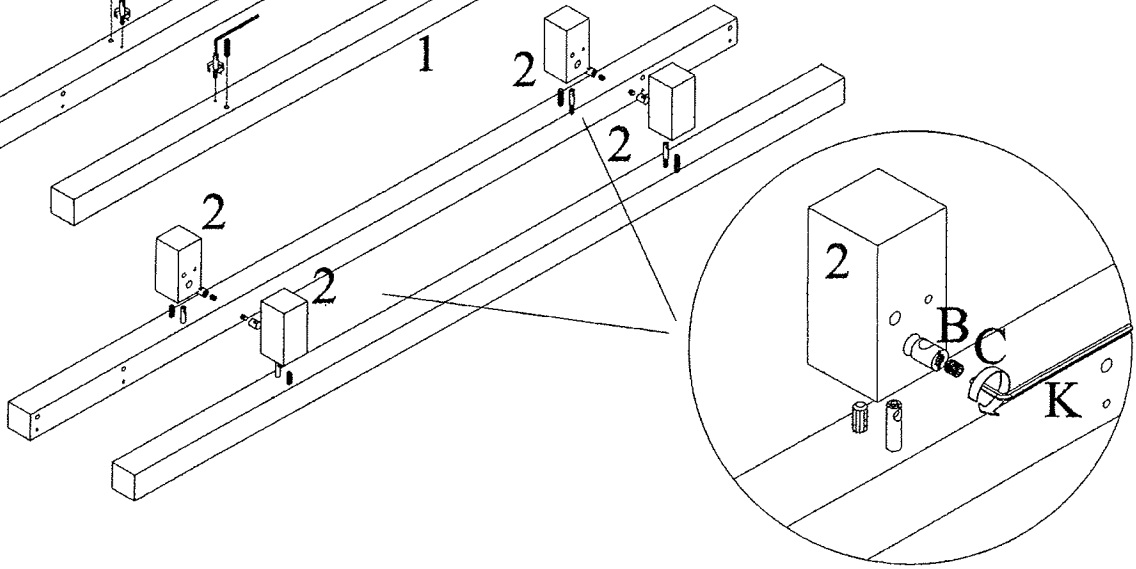
O x1



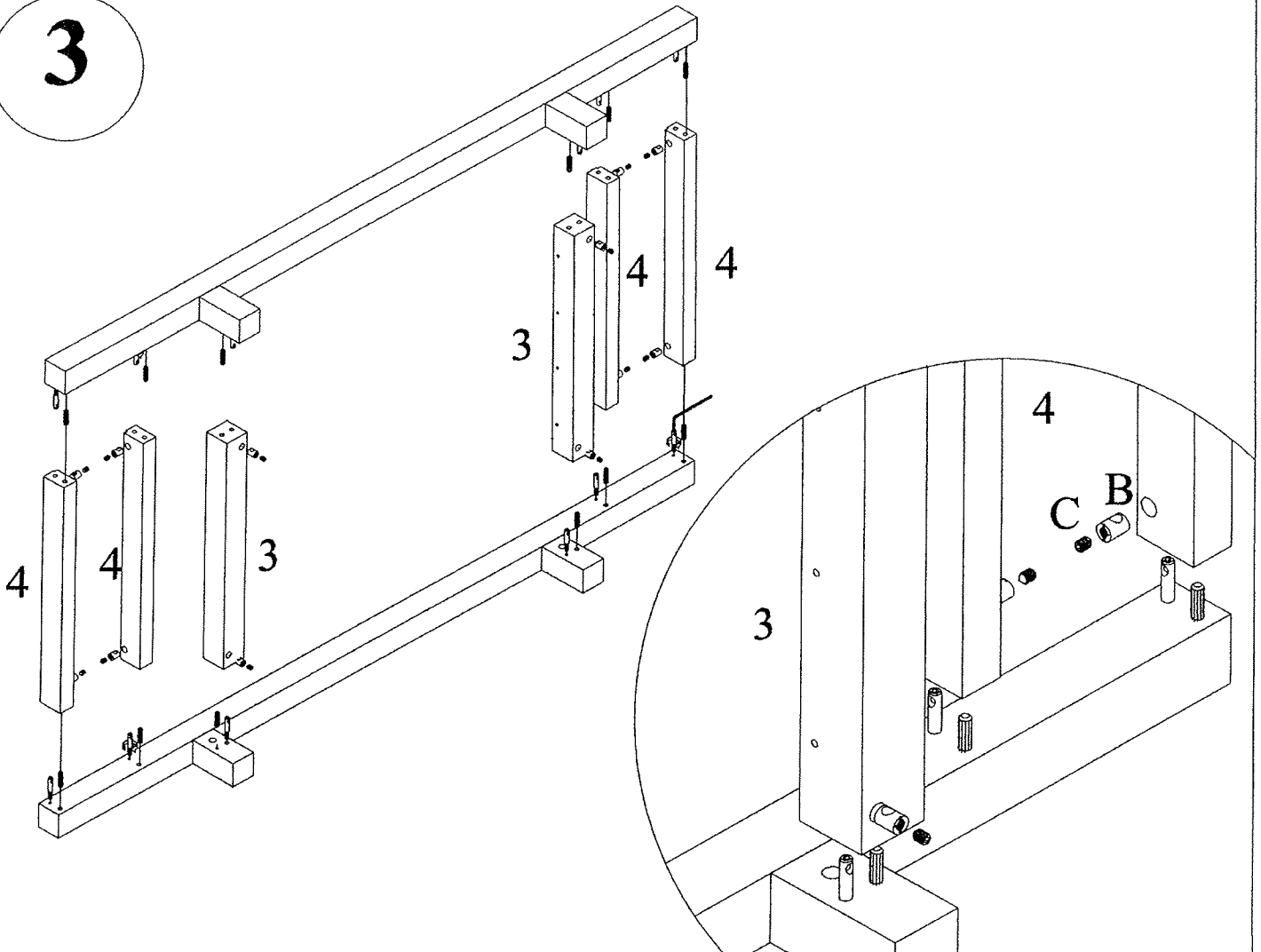
1



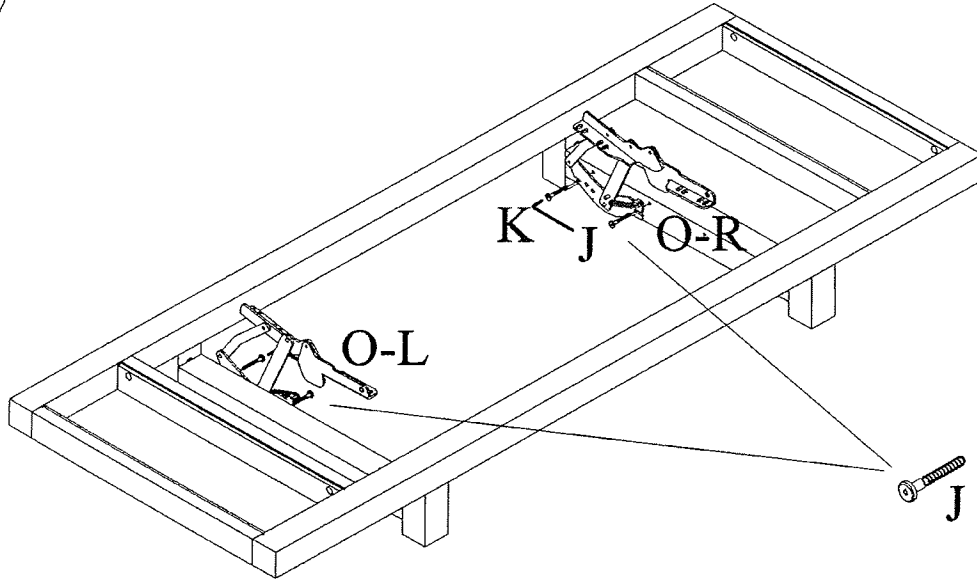
2



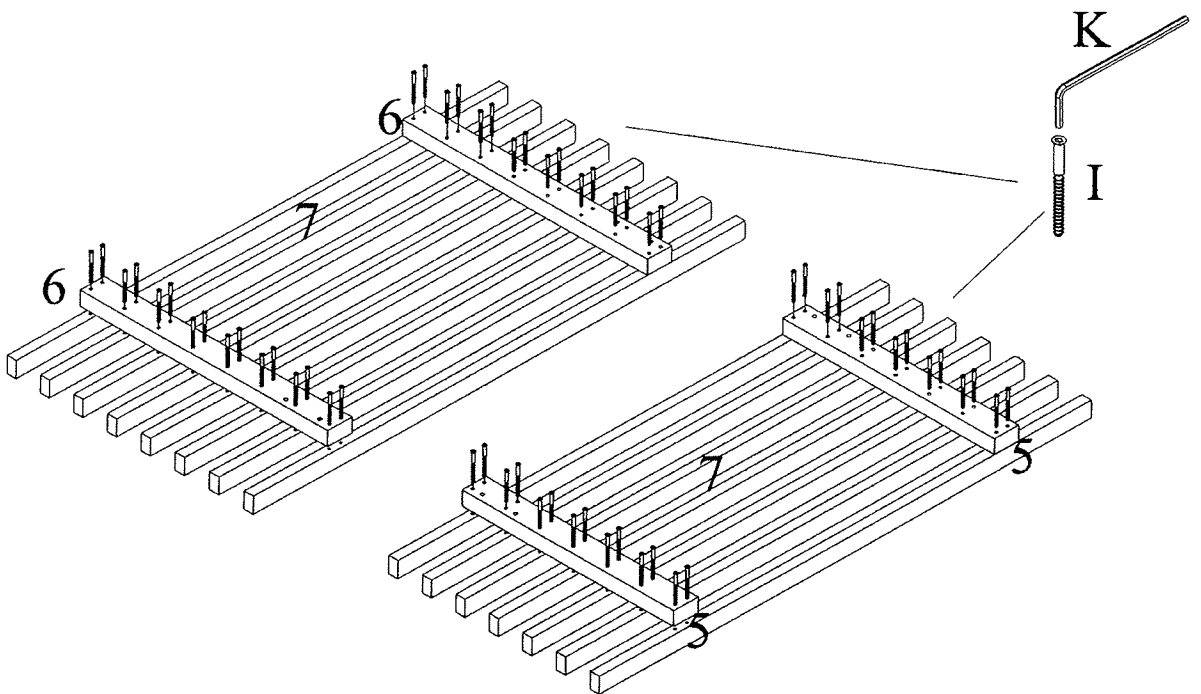
3



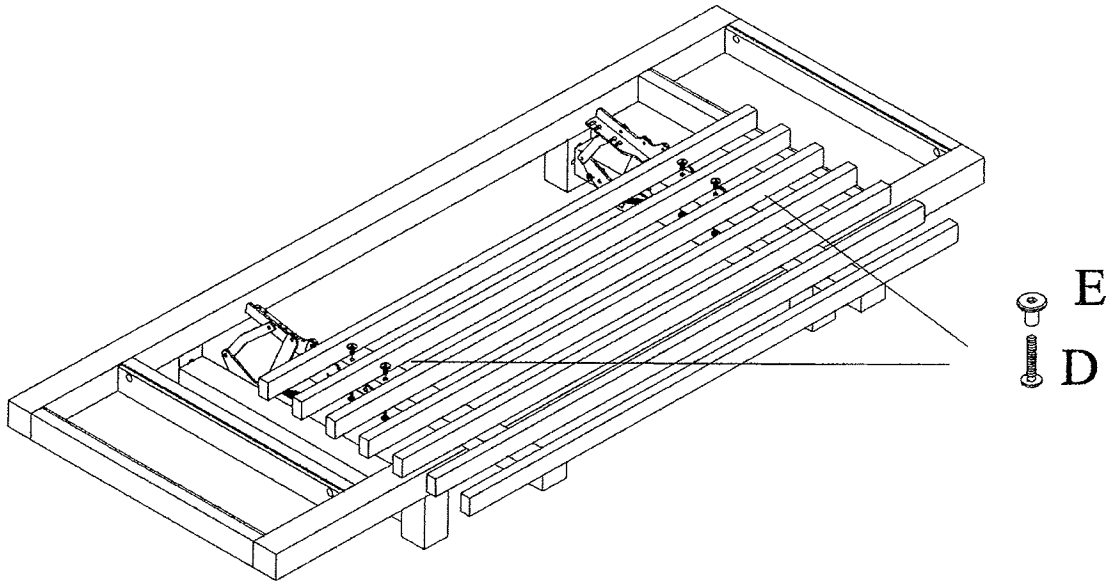
4



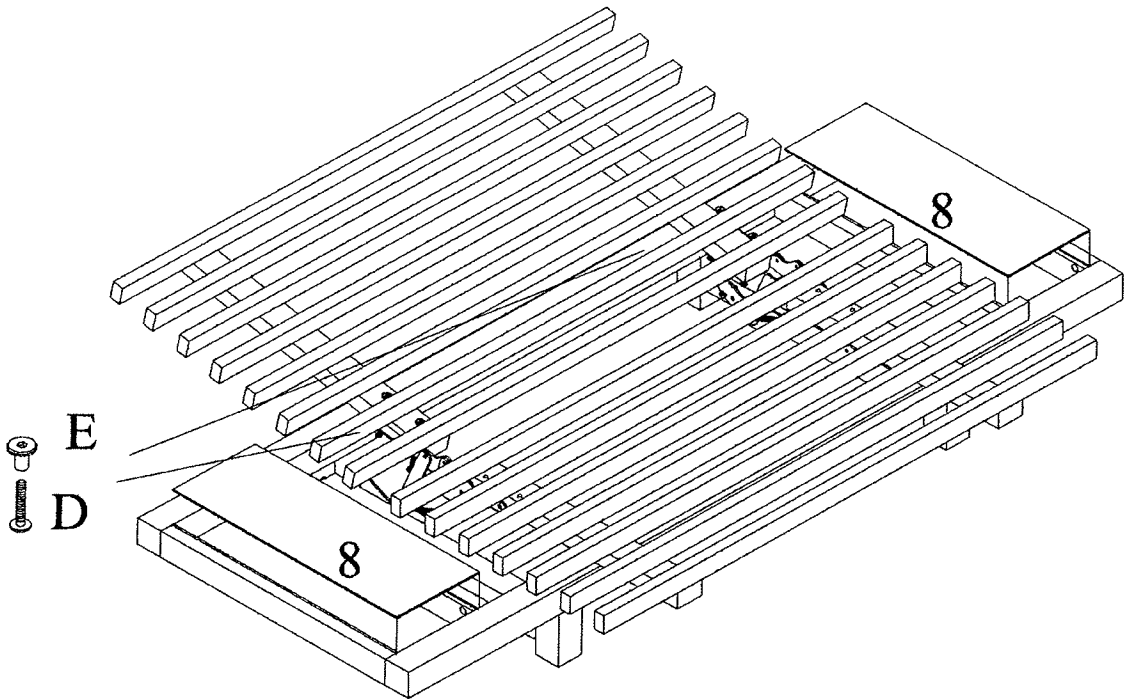
5



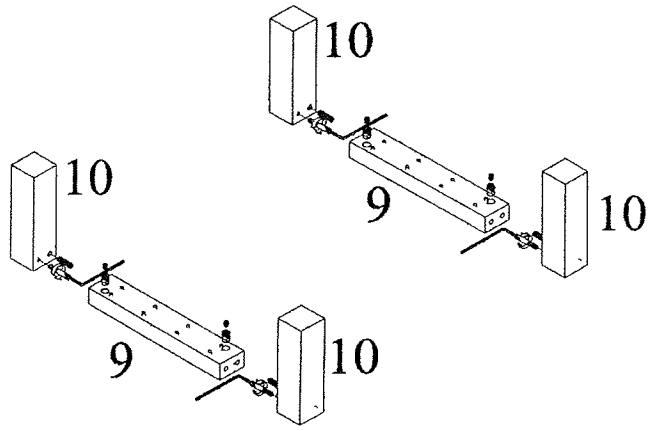
6



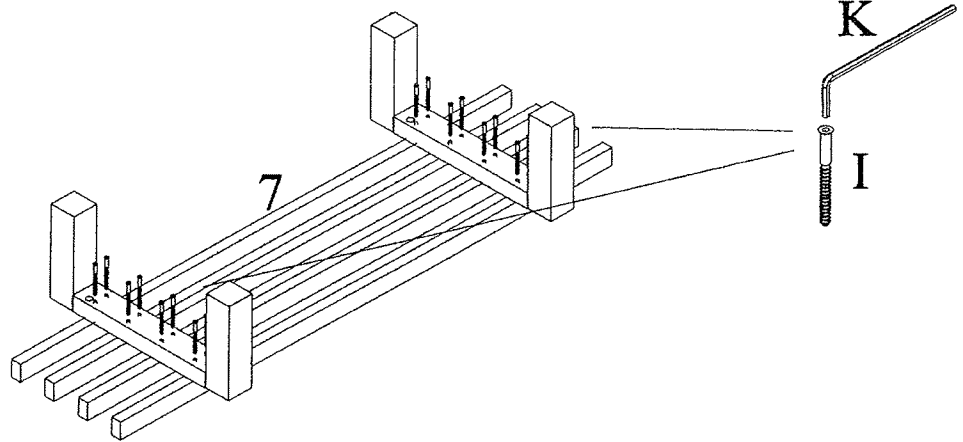
7



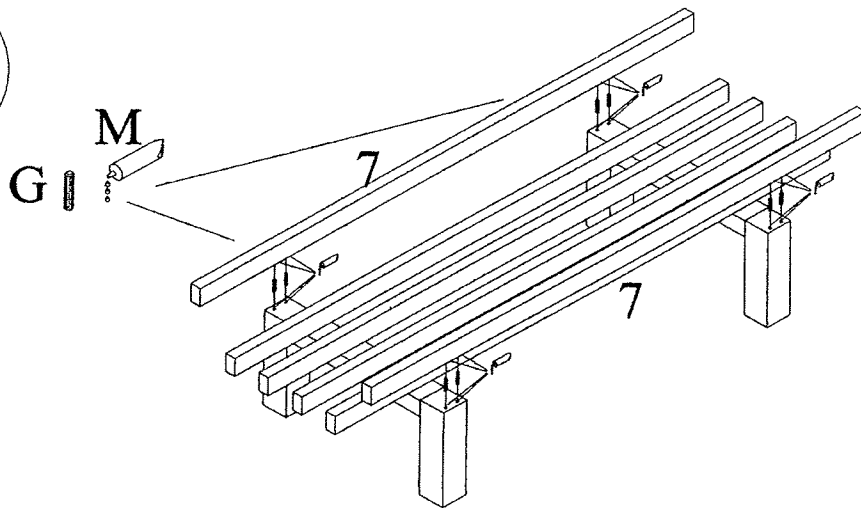
8



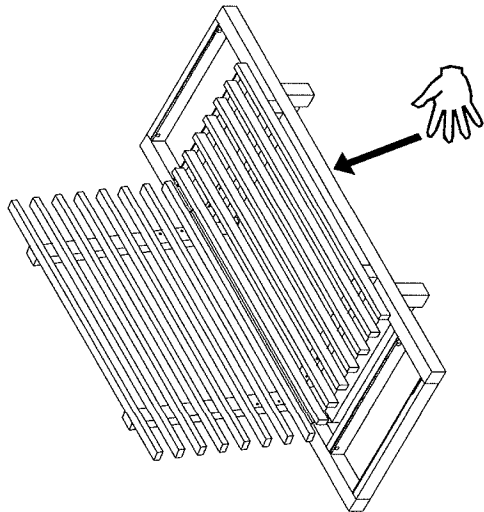
9



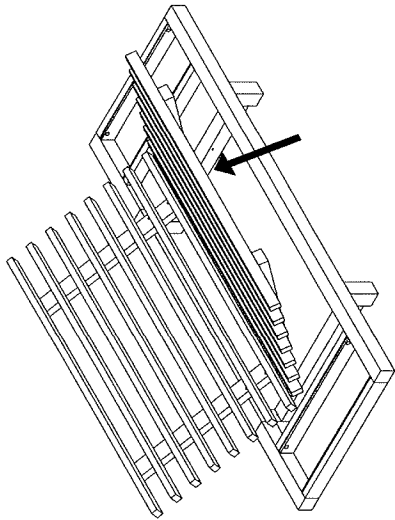
10



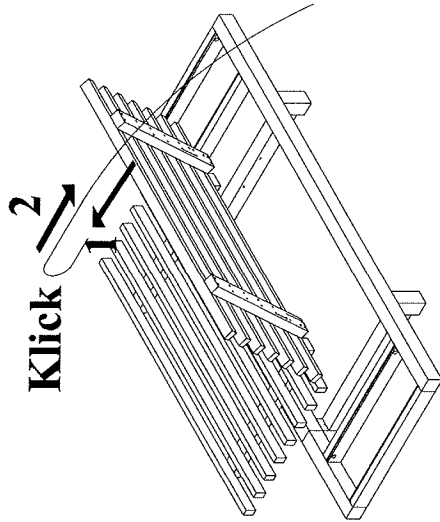
1



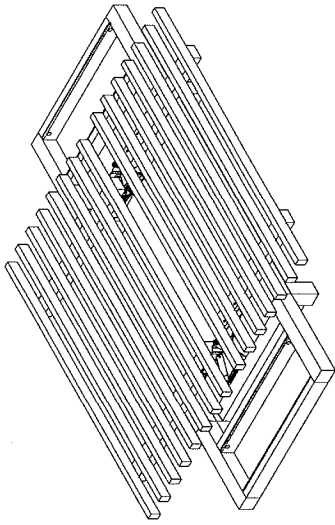
2



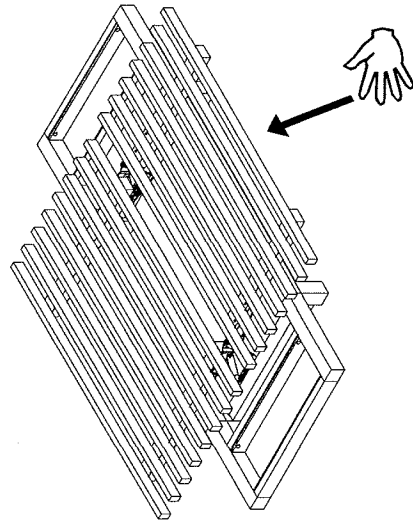
3



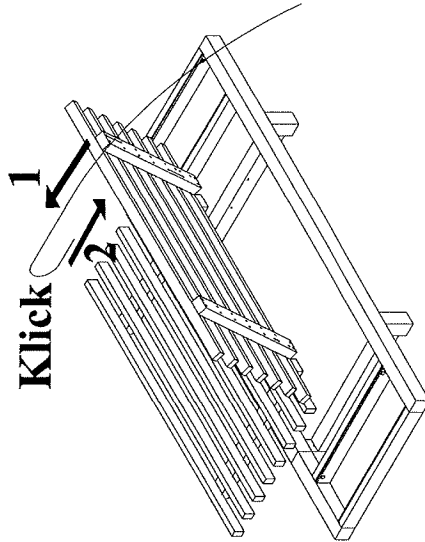
4



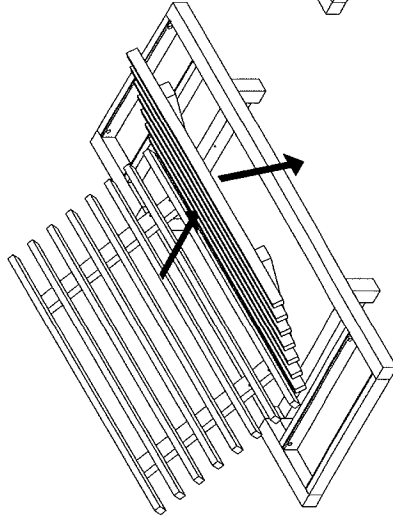
1



2



3



4

