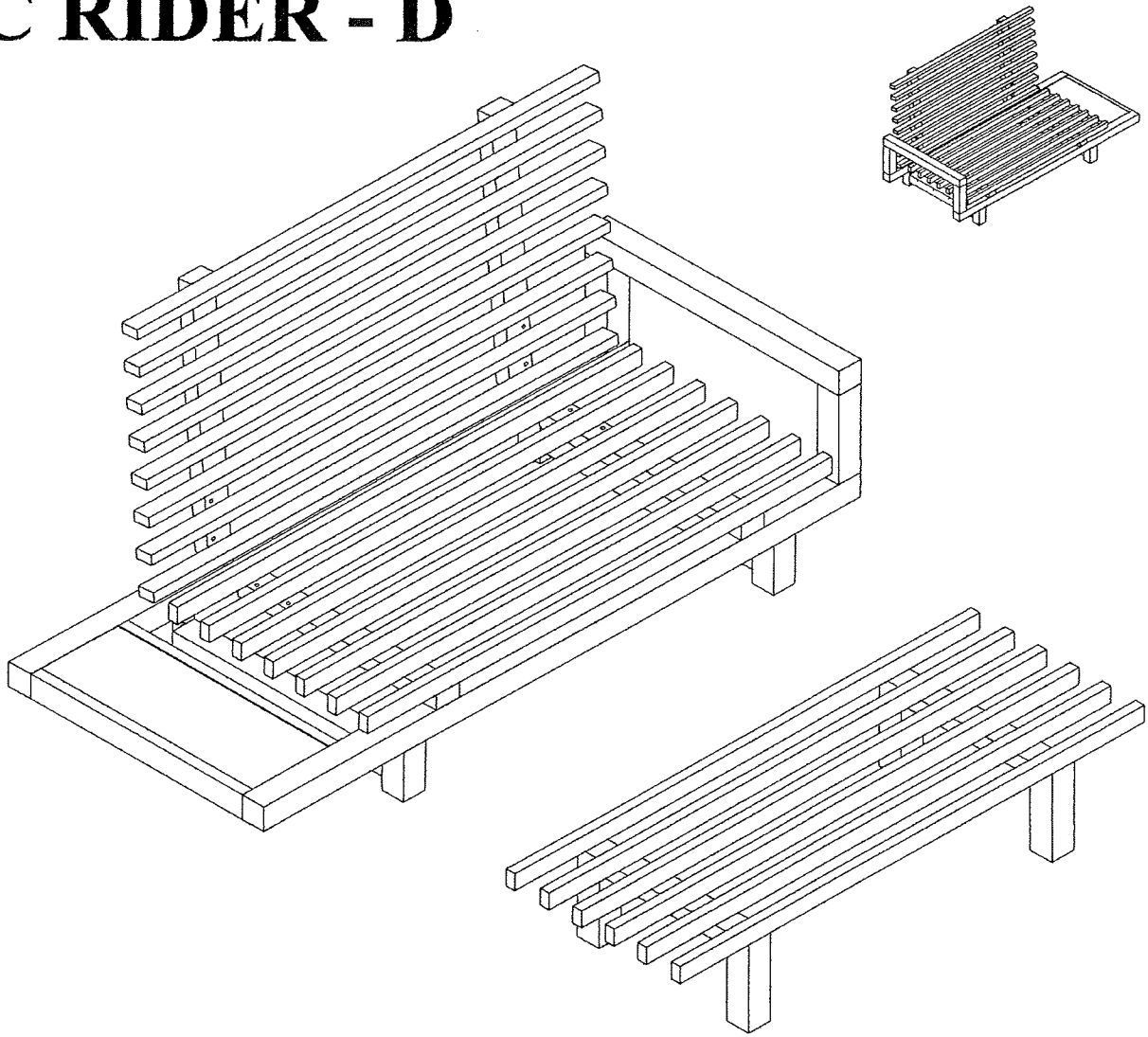


# CC RIDER - D



A x16



B x16



C x16



D x8



E x8



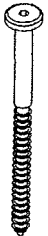
F x20

Ø10 x 40 mm



G x8

Ø6 x 30 mm



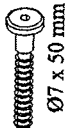
H x4

Ø6,3 x 105 mm



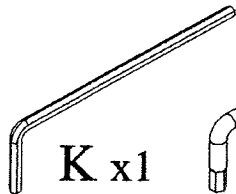
I x76

Ø7 x 70 mm

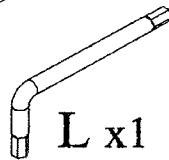


J x4

Ø7 x 50 mm



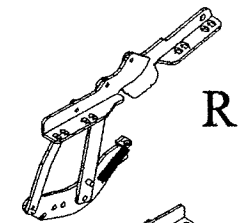
K x1



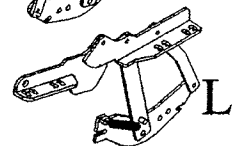
L x1



M x1

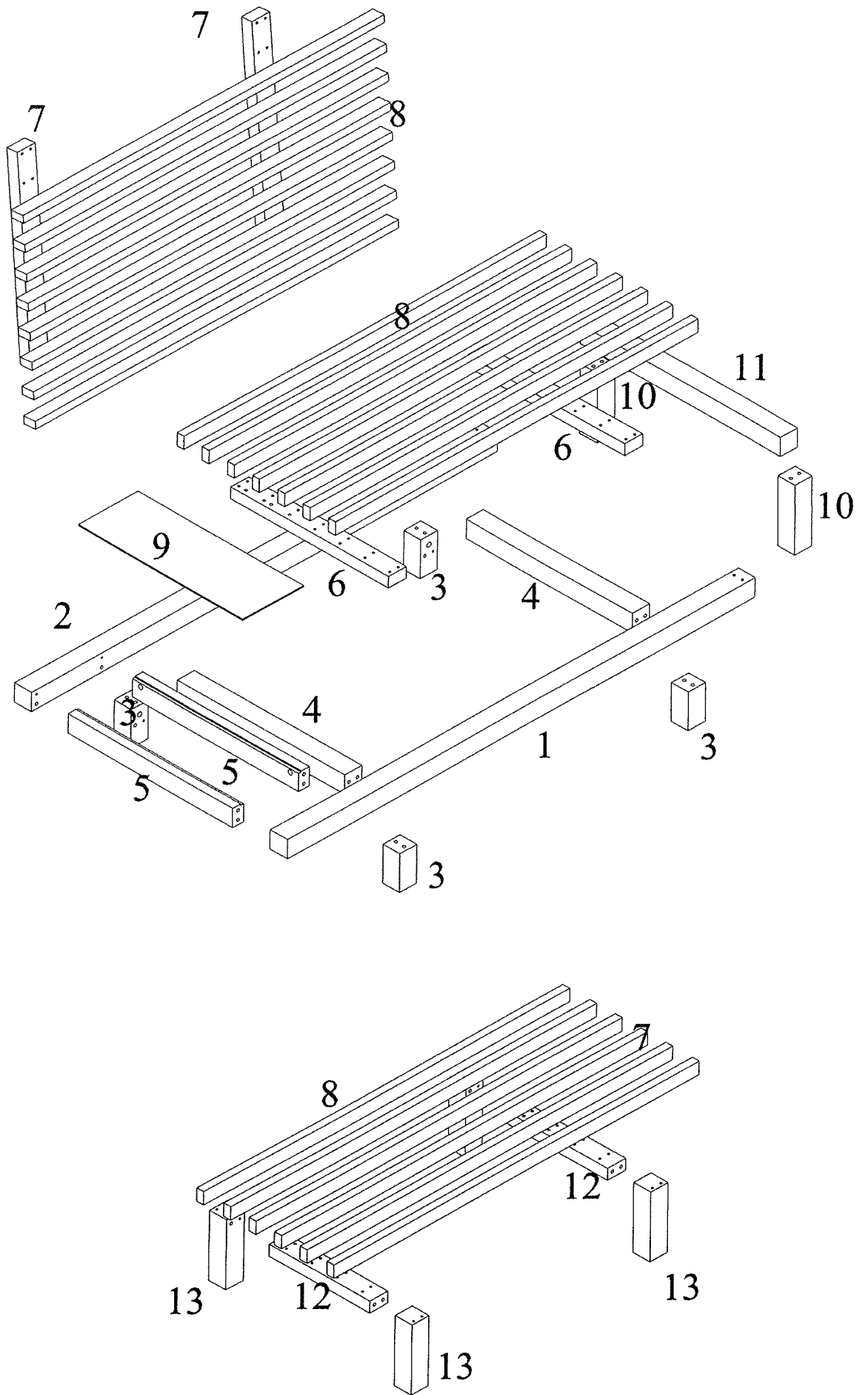


R

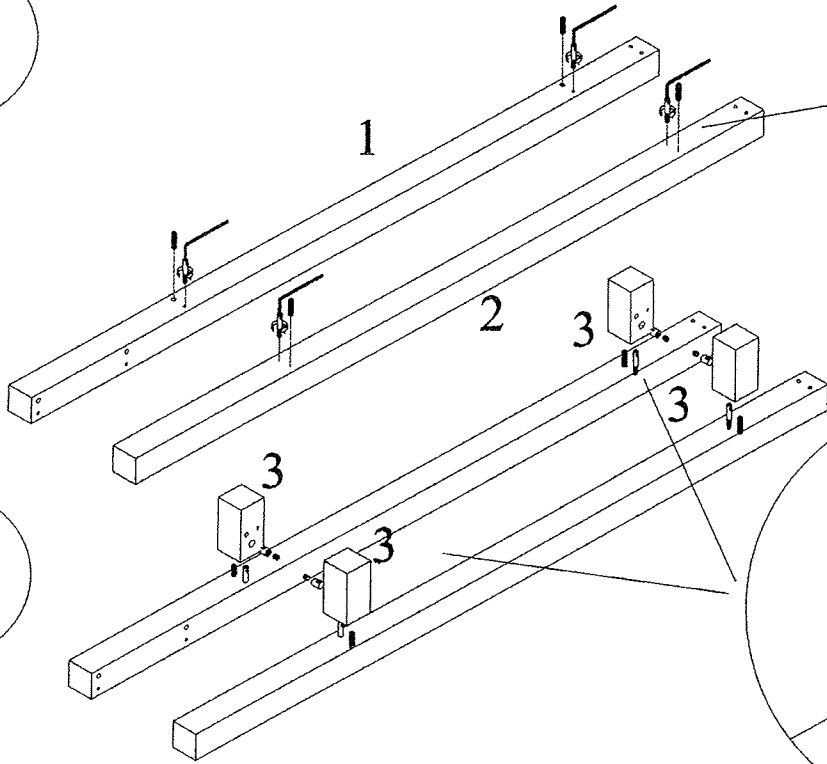


L

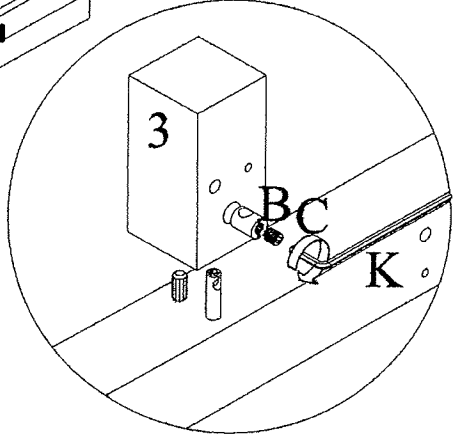
O x1



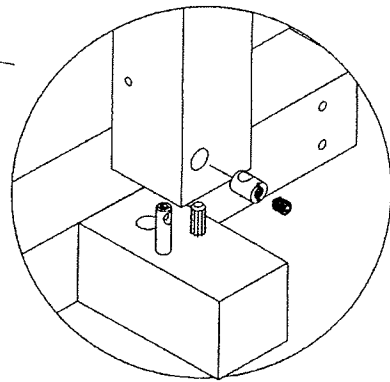
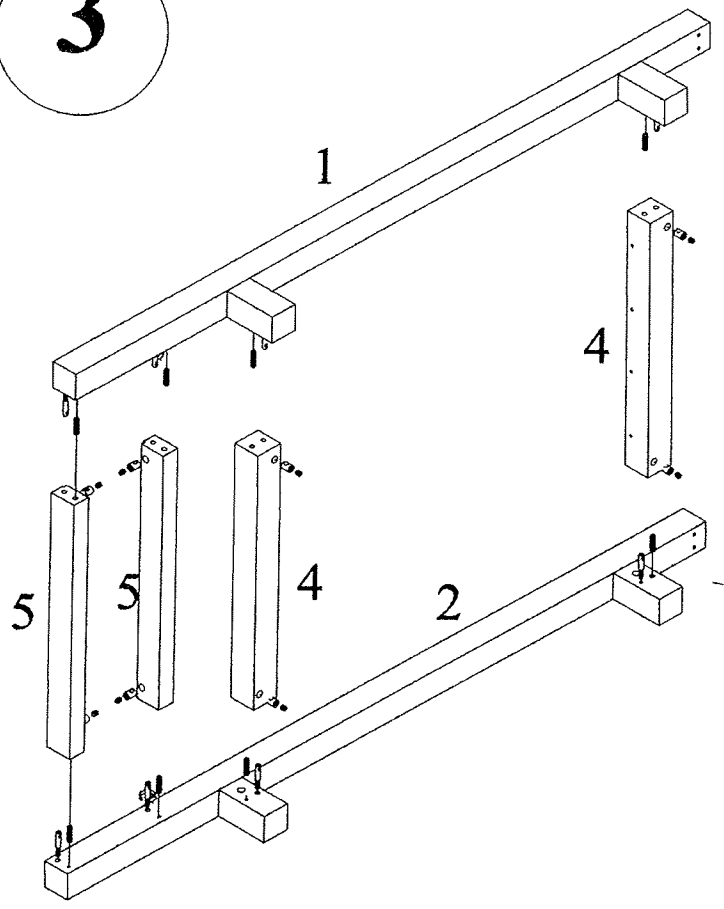
1



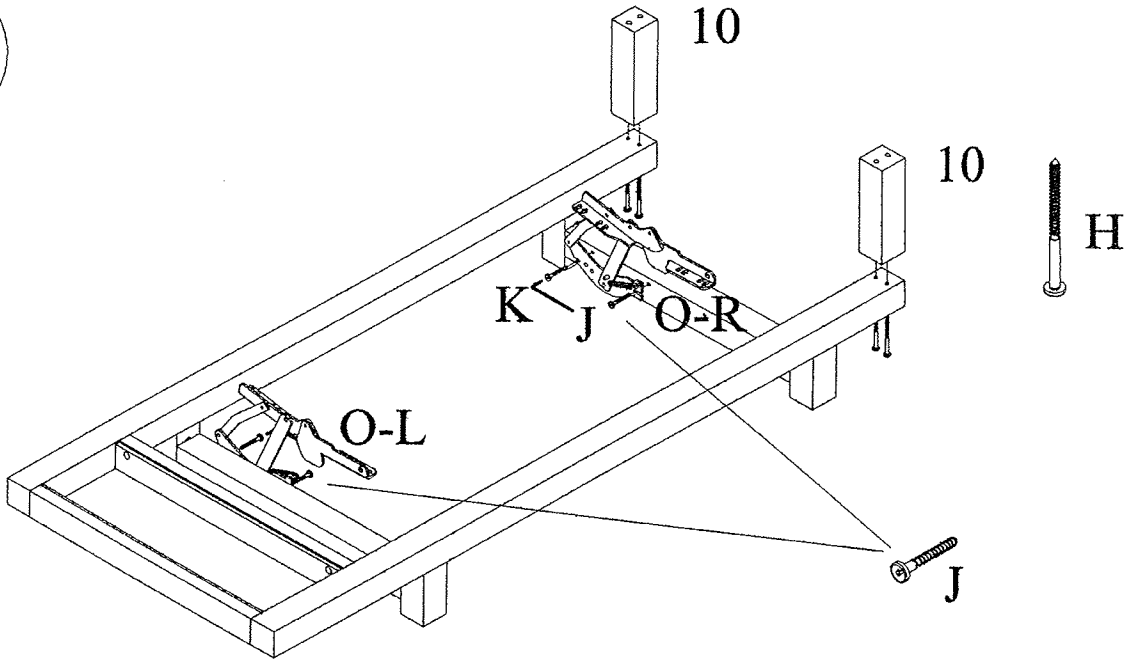
2



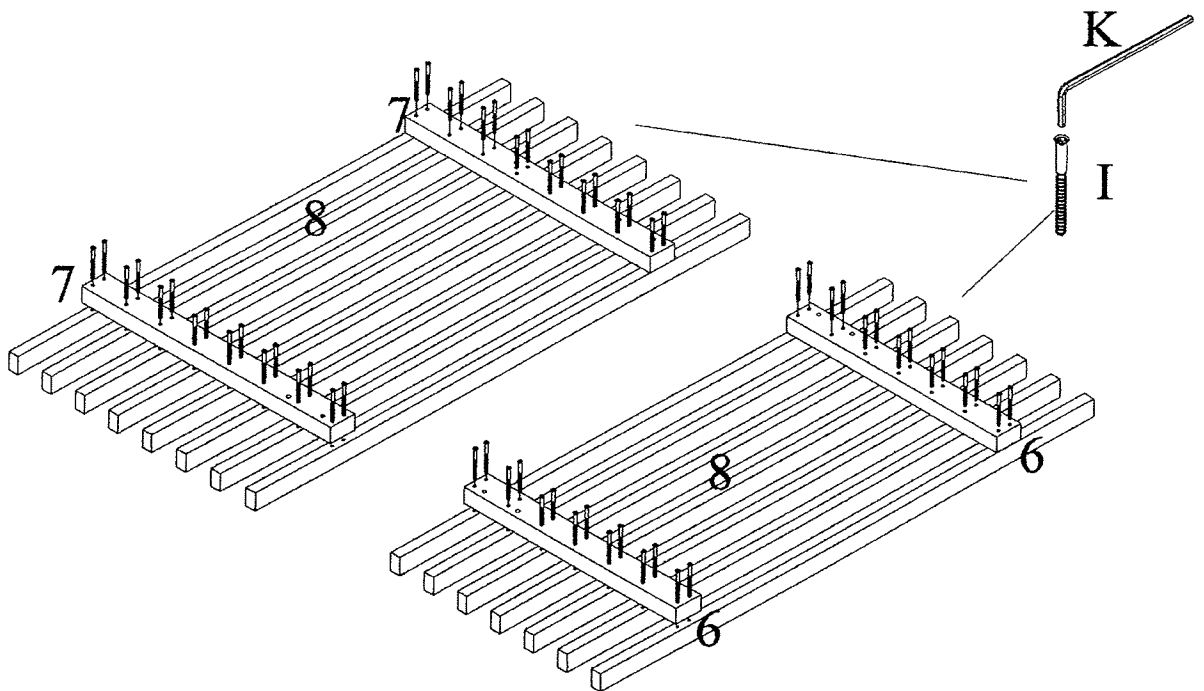
3



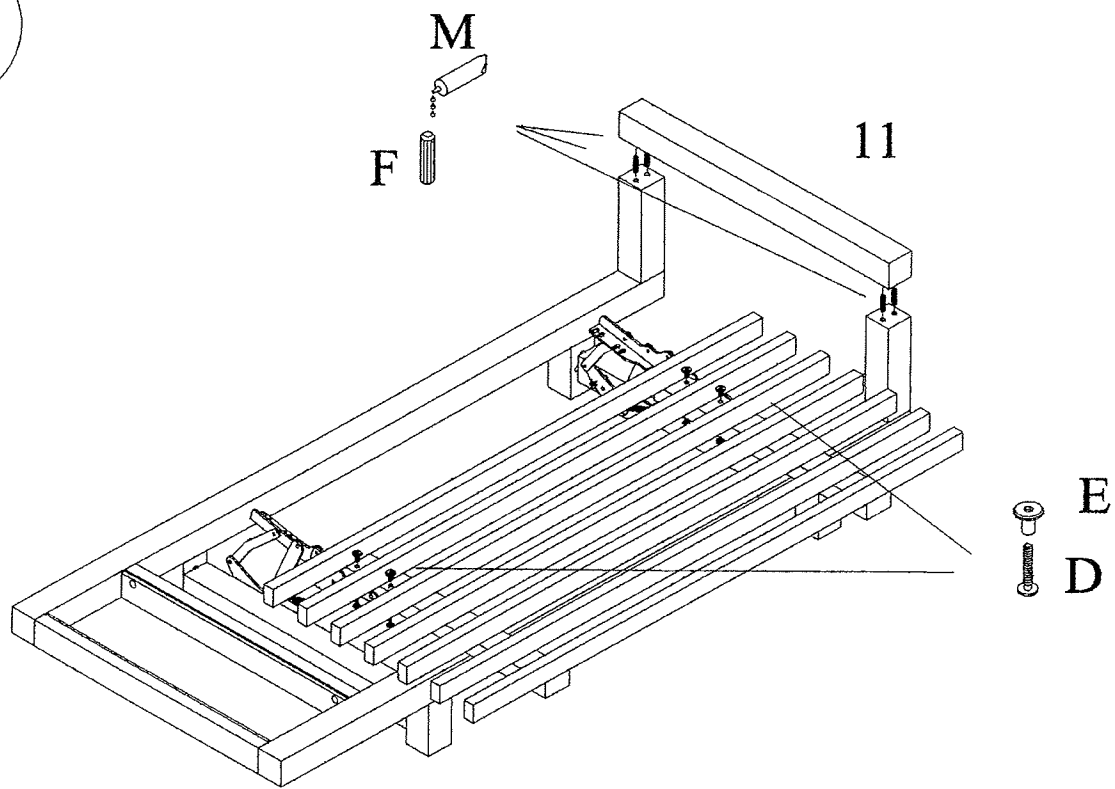
4



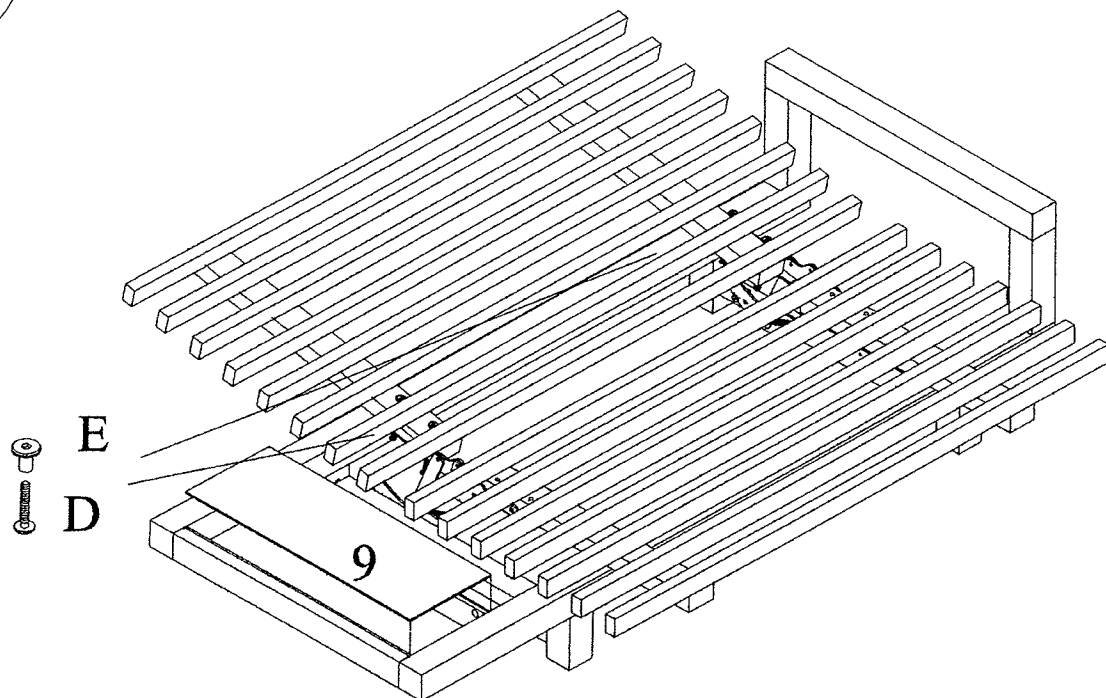
5



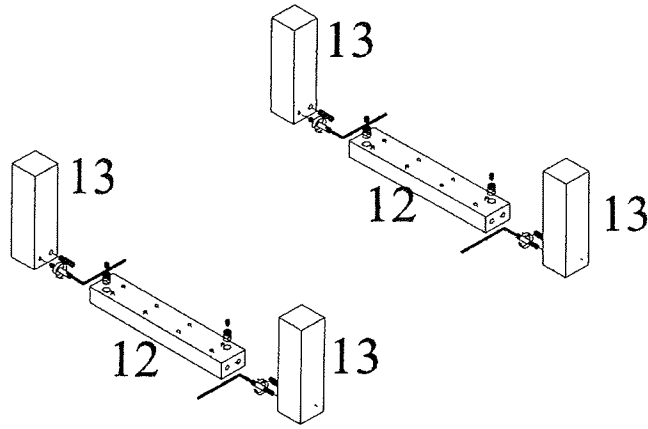
6



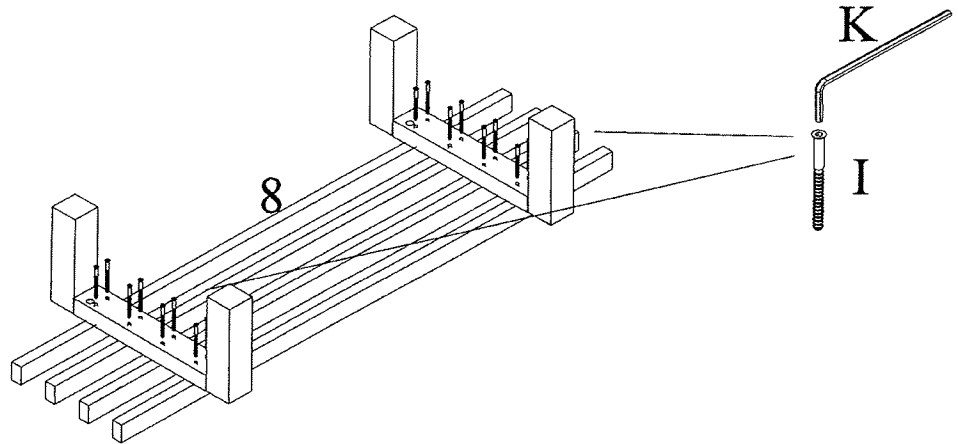
7



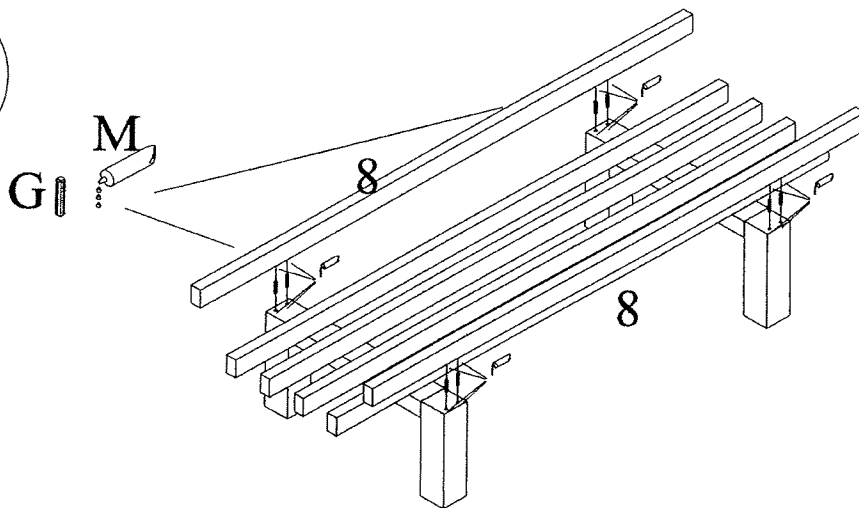
8



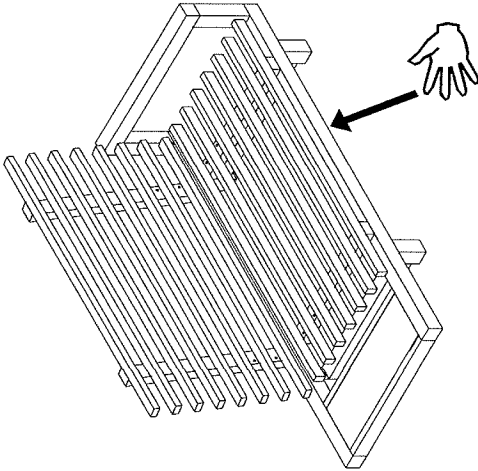
9



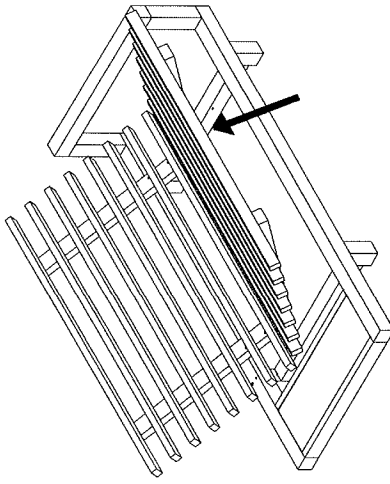
10



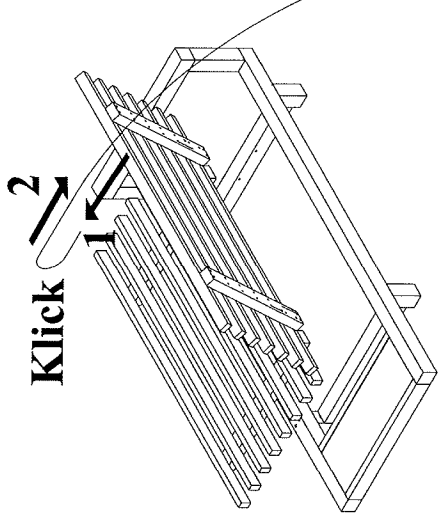
1



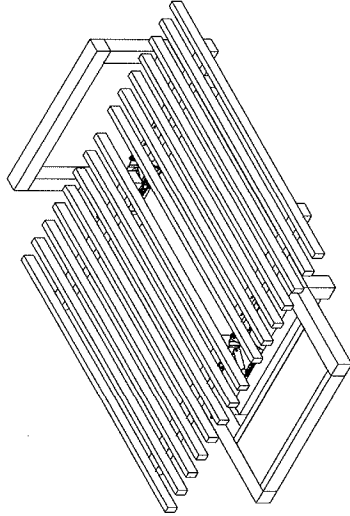
2



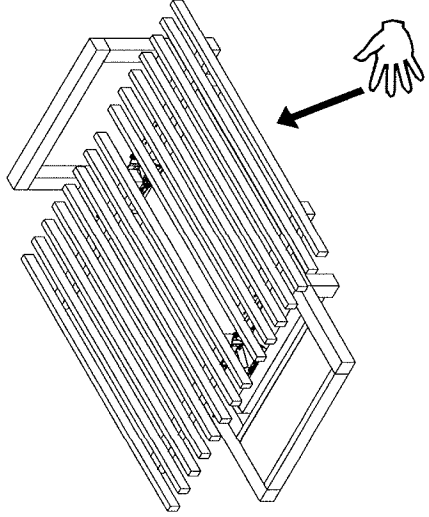
3



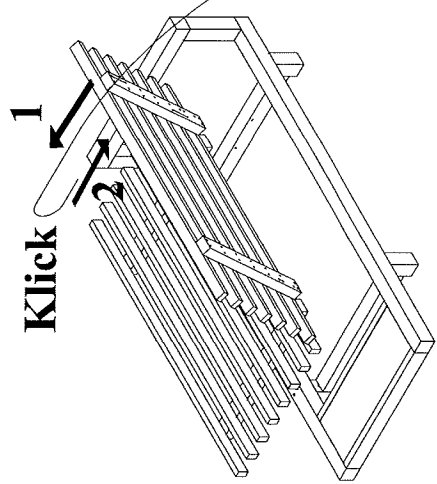
4



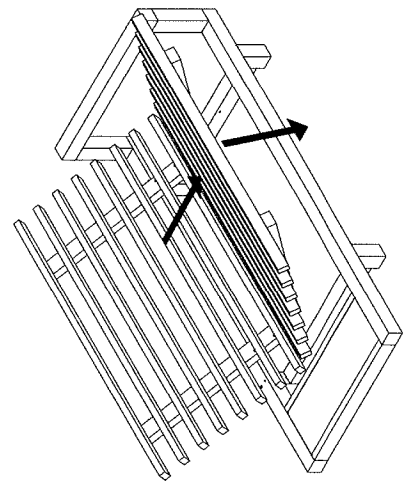
1



2



3



4

